

GD880 series High-Performance industrial drives



Contents

Corporate introduction	1
Product introduction	2
Technical data	3
Product features	4
Naming rule	10
Overload curve	10
GD880-71 basic rectifier unit	11
GD880-81 regenerative rectifier unit	12
GD880-91 active rectifier unit	13
GD880-51 inverter unit	14
GD880-11 variable-frequency drive unit	16
GD880-41 3PH braking unit	17
GD880-LC liquid-cooling unit	18
Control unit	19
Control unit interface description	19
Module options	21
Cabinet code description	22
GD880-76 basic rectifier cabinet (TSU)	23
GD880-86 regenerative rectifier cabinet (RSU)	24
GD880-96 active rectifier cabinet (ASU)	25
GD880-56 inverter cabinet (INV)	26
GD880-46 braking cabinet (BKC)	28
GD880-16 variable-frequency cabinet	29
GD880-26 active rectifier variable frequency cabinet ...	31
Drive cabinet feature and option list	32
Mounting dimensions	34
INVT marketing service network	41

Corporate introduction

INVT (Shenzhen INVT Electric Co., Ltd) has been concentrating on industry automation and energy power since its foundation in 2002 and is committed to "Providing the best product and service to allow customers more competitiveness". INVT goes public in 2010 and is the first A-share listed company (002334) in Shenzhen Stock Exchange in the industry. At present, INVT owns 15 subsidiaries and more than 4000 employees, over 40 branches, forming a sales network covering more than 100 overseas countries and regions.

INVT has been awarded as the Key High-tech Enterprise of National Torch Plan based on mastering of key technologies in power electronics, auto control and IT. With business covering industry automation, electric vehicle, network power and rail transit, INVT has established 11 R&D centers nationwide, boasts more than 1300 patents and owns the first lab in the industry awarded ACT qualification from TÜV SÜD, UL-WTDP and CNAS National Lab. The industrial parks in

Shenzhen and Suzhou aim to provide customers with advanced integrated product development design management, comprehensive product R&D test and auto informational production. The worldwide INVT branches and warranty service centers are ready to offer customers all-around back-ups including professional solutions, technical trainings and service support.

In the next decade, INVT will continue to take "Honesty and Integrity, Professionalism and Excellence" as our business philosophy, enhance core business sectors including industrial automation, electric vehicle, network power and rail transit based on the three major technologies in industry automation and energy power fields, and strive to become a leading, responsible and harmonic international professional group armed with proper product structure, leading technologies, efficient management, robust profitability and superior competitiveness.

Industrial Park in Suzhou

Group's core industrial base and R&D center in East China



Industrial Park in Guangming Shenzhen

Group headquarters, new product development and new business incubation base



Product introduction



The GD880 series High-Performance industrial drives is divided into two topological forms: single drive and multi drive, and is a transmission product positioned for high-end applications. The product is modular designed based on the DFX concept and adopts advanced control algorithms. It has excellent speed and torque control performance, high reliability, high power density, convenient installation, debugging, maintenance, and comprehensive protection.

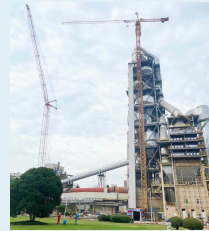
- Excellent speed and torque control performance
- Modular design, as flexible as building blocks, making project integration simple and efficient
- Long-life component selection and fast fault recovery design to ensure efficient process control
- Ergonomic design to make installation and maintenance easier
- Enriched expansion capability to support various protection options

Application fields



Metallurgy

High speed bar and strip hot rolling equipment, wide and thick plate equipment, cold rolling host, pickling line, annealing line, galvanizing line, color coating line, non-ferrous metal manufacturing, rolling equipment, diaphragm pump.



Building materials

Support for and technical renovation of large-scale equipment such as rotary kilns, ball mills, belt conveyors, and crushers.



Petroleum

Heavy petroleum equipment such as fully electric drilling rigs, energy storage and repair rigs, electric drive transformation of large petroleum machinery equipment, oilfield water injection equipment, fracturing prys, and sand mixing prys.



Marine

Shore based power supply, ship main side thrusters, anchor winches, shaft generators, DC networking system, and ship auxiliary equipment.



Port hoisting

Quayside crane, tire crane, rail crane, ship unloader, gantry crane, belt conveyor, large shipbuilding gantry crane, large metallurgical casting crane.



Testing

Battery simulator, engine testing platform, motor testing platform, and new energy vehicle testing system.



Papermaking

Joint equipment for paper copying, including production lines such as pulp box, mesh section, pressing section, drying section, gluing, hard calendering, coating, super calendering machine, and rewinding machine.



Others

Technical renovation and supporting application of equipment such as centrifuges, textile equipment, shield tunneling machines, grinders, and electric shovels.

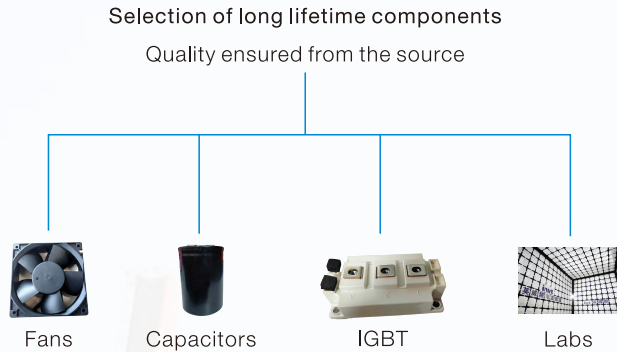
Technical data

Item		Specifications
Basic rectifier	Input voltage	4: 380- 440VAC 3PH $\pm 10\%$, -15%<1min 6: 520- 690VAC 3PH $\pm 10\%$, -15%<1min
	Input frequency	47-63Hz
	Output voltage	Input voltage * 1.35
	Overload capacity	Light overload: 110% of I _{LD} for 1 min every 5 min Heavy overload: 150% of I _{HD} for 1 min every 5 min
	Work efficiency	$\geq 98\%$
	Power factor	≥ 0.95 (Basically at rated current)
Regenerative rectifier	Input voltage	4: 380- 440VAC 3PH $\pm 10\%$, -15%<1min 6: 520- 690VAC 3PH $\pm 10\%$, -15%<1min
	Input frequency	47-63Hz
	Output voltage	Input voltage * 1.3 – Input voltage *1.4
	Overload capacity	Light overload: 110% of I _{LD} for 1 min every 5 min Heavy overload: 150% of I _{HD} for 1 min every 5 min
	Work efficiency	$\geq 98\%$
	Power factor	≥ 0.95 (Basically at rated current)
Active rectifier	Input voltage	4: 380- 440VAC 3PH $\pm 10\%$, -15%<1min 6: 520- 690VAC 3PH $\pm 10\%$, -15%<1min
	Input frequency	47-63Hz
	Output voltage	4: 1.5 * Input voltage- 720V; 6: 1.5 * Input voltage- 1080V
	Overload capacity	Light overload: 110% of I _{LD} for 1 min every 5 min Heavy overload: 150% of I _{HD} for 1 min every 5 min
	Work efficiency	$\geq 97\%$
	Power factor	≥ 0.99 (Basically at rated current)
	THD	THDI < 5% (at rated power) THDU<5% (Rsc>20)
Inverter	Input voltage	4: 510- 720VDC 6: 700- 1035VDC
	Output frequency	0-400Hz
	Output voltage	0-0.7 * VDC
	Overload capacity	Light overload: 110% of I _{LD} for 1 min every 5 min Heavy overload: 150% of I _{HD} for 1 min every 5 min
	Work efficiency	$\geq 98.5\%$
	Control method	V/F; SVC; FVC
	Motor type	Permanent magnetic synchronous motor; asynchronous motor; linear motor
	Starting torque	FVC: 0Hz/200%; SVC: 0.25Hz/150%
	Accuracy at stable speed	FVC: $\pm 0.01\%$; SVC: $\pm 0.1\%$
	Speed fluctuation	FVC: $\pm 0.02\%$; SVC: $\pm 0.3\%$
	Dynamic speed decrease	FVC: 0.3%*s- 0.5%*s, SVC: 0.1%*s- 0.3%*s (@100% torque step)
	Speed regulation ratio	V/F: 1:50; SVC 1:200; FVC: 1:1000
	Torque accuracy	FVC: $\leq 3\%$; SVC: $\leq 5\%$
Torque response	FVC: <5ms; SVC: <10ms	
Environment condition	Working temperature	-10°C - +50°C; Derating is required when the ambient temperature exceeds 40°C
	Relative humidity	5%- 95%, no condensation
	Installation altitude	Below 1000m (Derating is required when the altitude exceeds 1000m Derate by 1% for every increase of 100m.)
Mechanical data	Anti-vibration performance	Compliant CLASS 3M4 in EN60721-3-3 100m/s 11ms
	IP rating	For the module: IP00 For the cabinet: IP20
	Safety performance	Compliant with EN 61800-5-1
	Cooling	Forced air cooling

Product features

Highly reliable

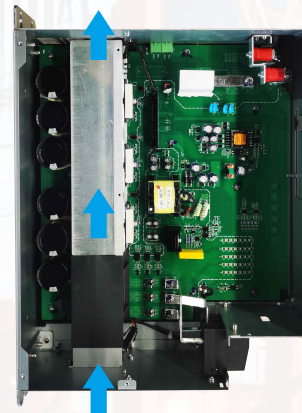
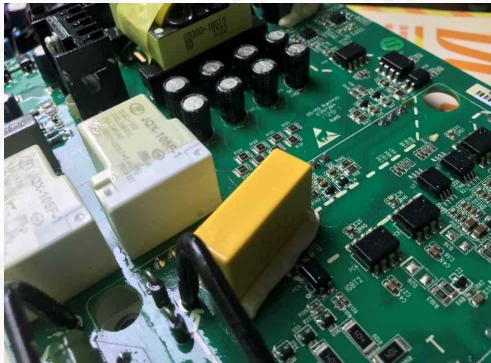
- Selection of long lifetime components to ensure quality from the source and stable running of equipment.



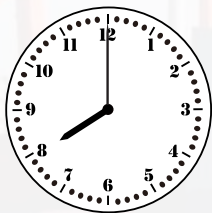
- A comprehensive testing and validation system ensures that products undergo multiple verifications and tests from design to factory, ensuring their reliability from the source.



- Independent air duct and thickened imported conformal coating provide dual protection, meeting IEC60721-3 3C3 environmental requirements. The corrosion resistance in scenarios such as high humidity, high salt spray, and corrosive gases is significantly improved.



- Built in real-time clock function for more accurate fault information.



- Standard storage card for quick and convenient parameter backup.

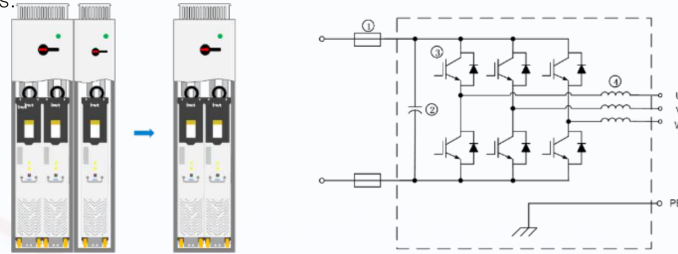


- Fault classification Users can define 10 faults, which can be grouped and handled by severity, including shielding a fault without processing, alarming but keeping running, decelerating to stop, and coasting to stop, so as to reduce unnecessary downtime and ensure continuous operation of equipment.

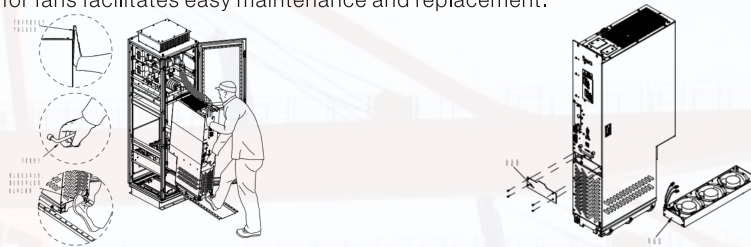
Fault severity 1	Shield the fault
Fault severity 2	Alarm but keep running
Fault severity 3	Decelerate to stop
Fault severity 4	Coast to stop

● Derating due to faults

Independent three-phase power unit design ensures the system can be derated to keep running in case of unit failure so as to minimize shutdown losses.

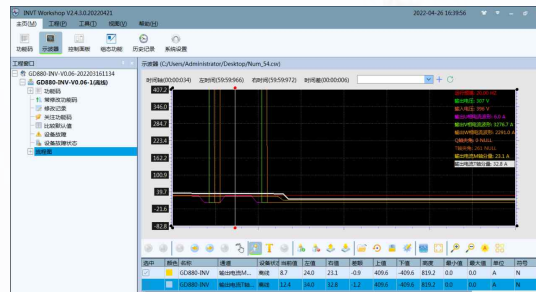


● The A8i unit adopts a quick plug connection and has built-in rollers at the bottom so that it can be directly pushed into the cabinet. The unit can be disassembled or assembled without removing the motor cable. The drawer design for fans facilitates easy maintenance and replacement.



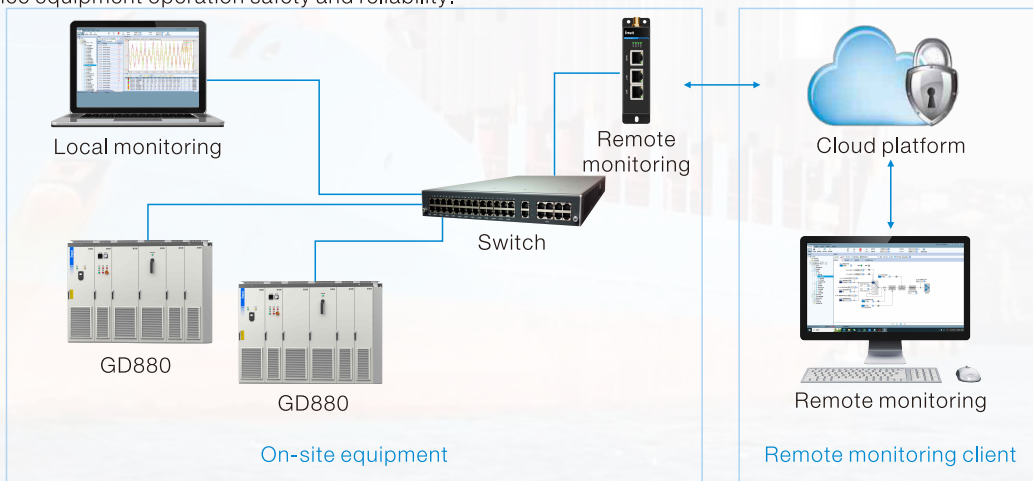
● Fault recorder

Saving data to 10 channels, saving 100 groups of fault waveform data cyclically through re-writing, and analyzing faults without the need of fault simulation.



● Remote O&M

After being authorized, manufacturer technical experts can connect on-site equipment through the Internet of Things to help fault locating, observe equipment operation data, and optimize operation parameters, so as to improve production efficiency, and enhance equipment operation safety and reliability.

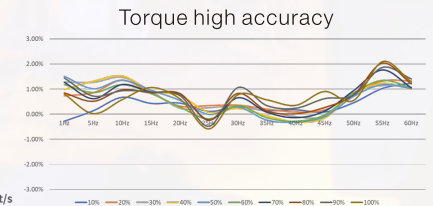
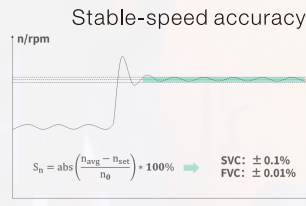


Excellent performance

High-speed and high-accuracy control

The multi-core architecture achieves high-speed and high-accuracy loop computing control, with good process consistency and improved product quality for customers.

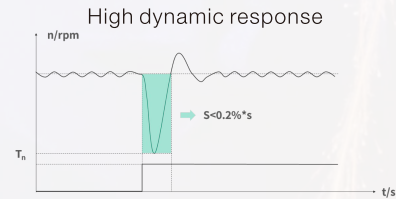
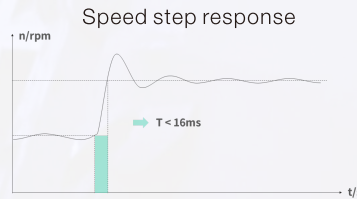
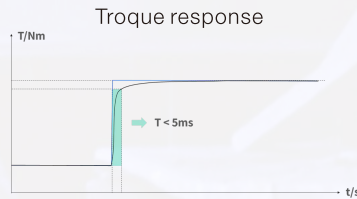
High accuracy		
	Stable-speed accuracy	Torque accuracy
FVC	0.01%	<3%
SVC	0.1%	<5%



High dynamic response

Real time load observation, achieving torque response of less than 5ms, with small speed drop area, fast speed recovery, and reducing pulling force.

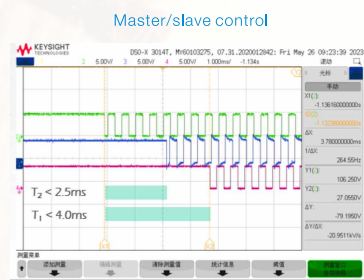
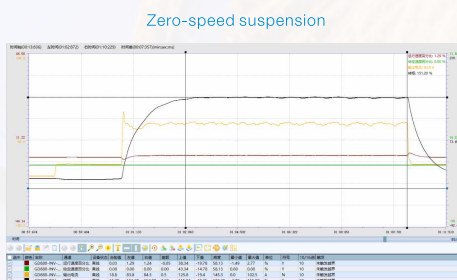
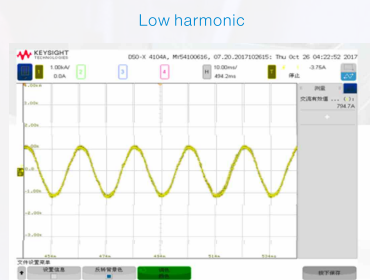
High dynamic response			
	Torque response	Speed step response	Dynamic speed decrease
FVC	<5ms	<16ms	0.1%*s-0.3%*s
SVC	10ms	<40ms	0.4%*s-0.5%*s



High performance

Four-quadrant product THDi < 5%, far below the limits specified by IEEE519 and G5/4, achieving the directly feedback of the power grid excellent low-frequency performance, making it easy to cope with lifting loads. Master/slave control with millisecond-level response, achieving more balanced load distribution.

High performance		
Low harmonic	Zero-speed suspension	Master/slave control
<5%	150% (SVC)	<3ms



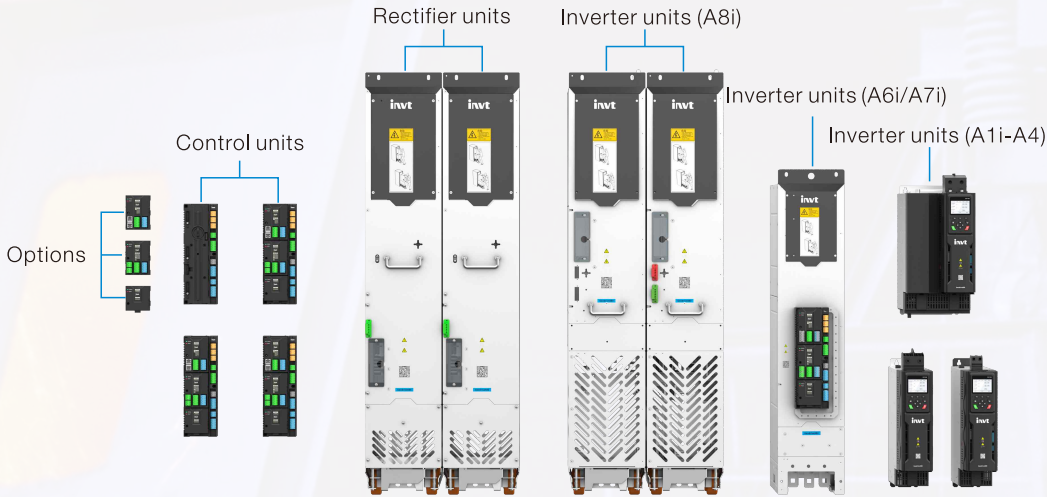
Flexible and easy to use

● **Modular design**

Control component modularization, making scalability flexible.

Power unit modularization, facilitating integration.

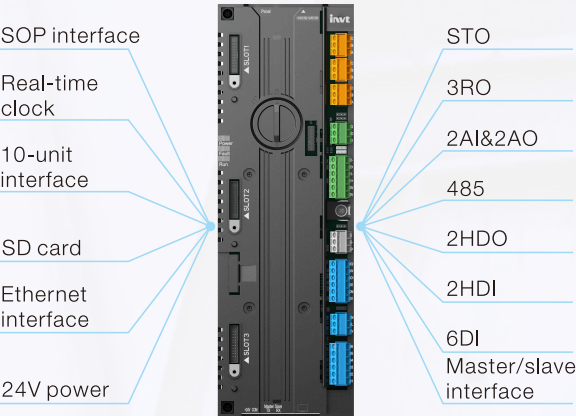
Modular front maintenance design for cabinets, achieving engineering need based combination to shorten delivery time and facilitate maintenance.



● **Abundant options for expansion**

Abundant system resources and I/O configuration, with user I/O functions differentiated by color to prevent accidental insertion and removal.

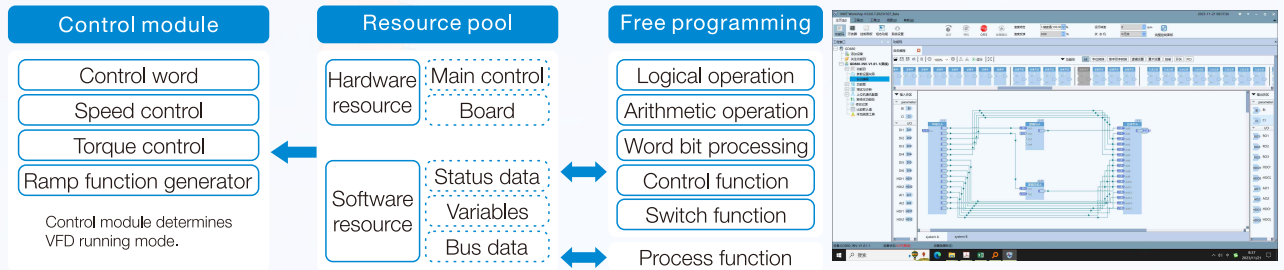
Control unit equipped with a standard 3-channel expansion interface, able to support up to 7 expansion modules in conjunction with an expansion solution, including encoder module, I/O, communication expansion functions, achieving interconnection and interoperability of industrial equipment.



Options		
<ul style="list-style-type: none"> · HTL encoder module · TTL encoder module · Resolver encoder module 	<ul style="list-style-type: none"> · I/O module 	<ul style="list-style-type: none"> · Profinet IO communication module · Profibus-DP communication module · CANopen communication module · Fiber-optic module

● Free programming

By using open control units and expansion I/O resource status, operation status, control word, status word and other resource interfaces, free programming can achieve secondary development and seamless integration with third-party control substitution, significantly reducing transformation workload, and assisting upgrading. Programming can be modular and configurable, reducing non-standard code development, ensuring firmware consistency, facilitating spare parts management, and reducing maintenance costs.



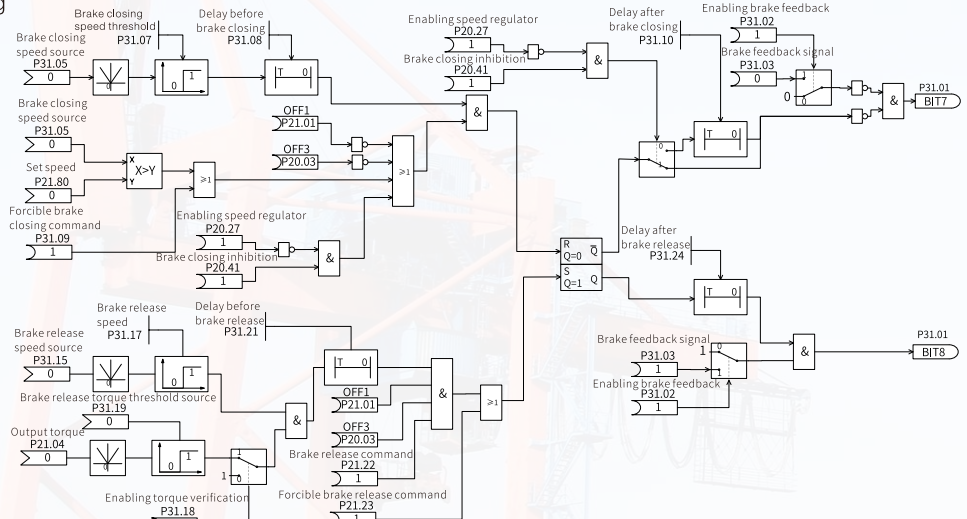
● Holding brake logic

Integrated with lifting holding brake control logic, effectively shortening the development cycle of automation systems.

▲ Integrated with lifting holding brake control logic

- External/Local brake control for selection
- Brake feedback detection to ensure safety
- Torque memorizing and pre-torque to ensure smooth starting
- Zero servo ensuring safety without slipping

▲ Anti-sag protection to handle emergency



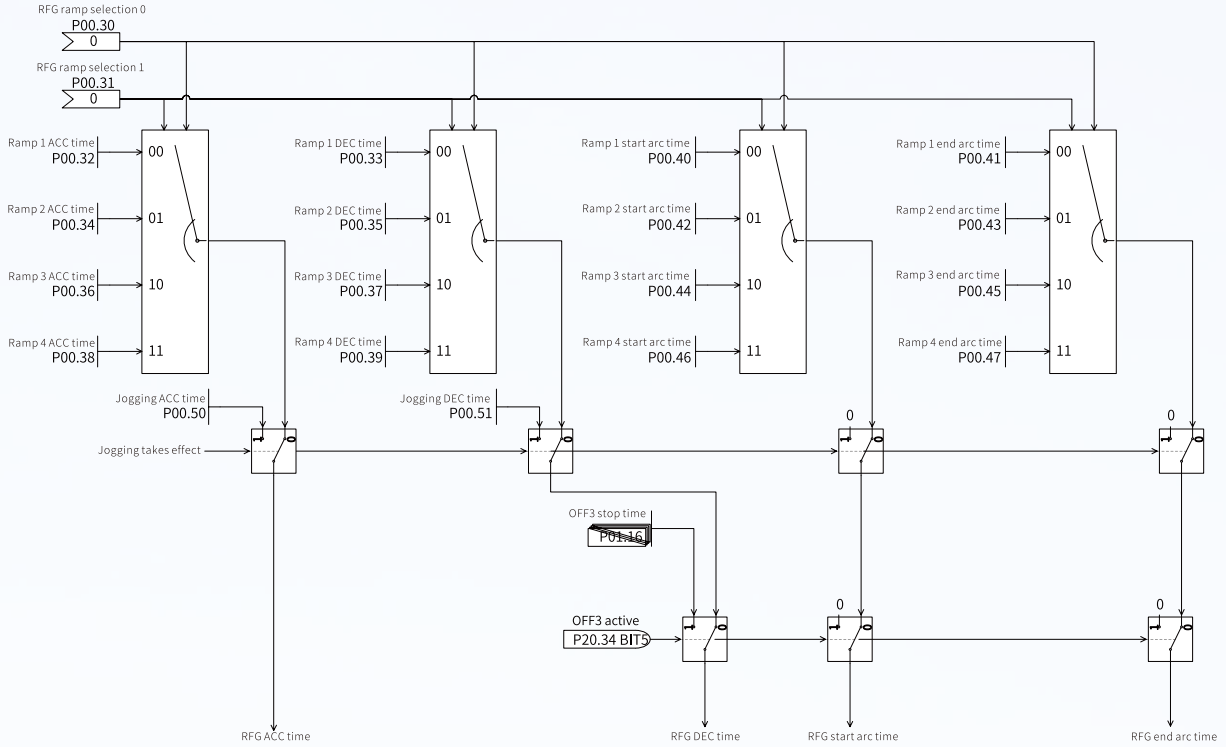
● Easy to debug

LCD screen with intuitive display, without the need to consult the operation manual, saving debugging time. Supporting parameter upload, storage, and download, saving engineering batch debugging time through parameter copying. IP54 high protection design, supporting cabinet door external connection for easy integration. Type-C firmware/word library upgrade for fast language adaptation.



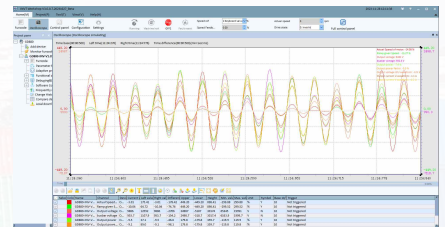
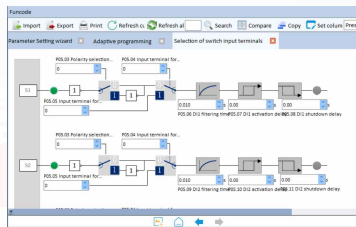
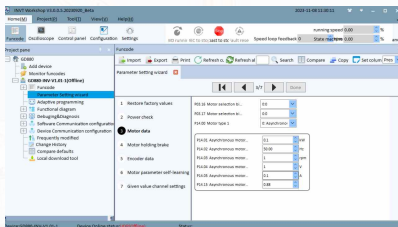
● Open function diagram

Function modularization and clear definition, convenient for engineers to learn and use at low cost.
 Open data flow diagram and transparent control scheme.
 Function diagrams integrated with data testing for easy problem locating.



● Workshop host controller software

Standard Ethernet debugging interface to achieve local and remote debugging, monitoring, and maintenance of drive equipment.
 Professional debugging wizard to quickly complete drive configuration, improving debugging efficiency.
 High speed online oscilloscope, supporting multi-device monitoring, with each device supporting the storage and playback of 10 channels of waveform data, and real-time display of status information, convenient for quick problem locating, greatly improving debugging efficiency.
 Support for function parameter comparison, batch upload, download, printing, and file export.



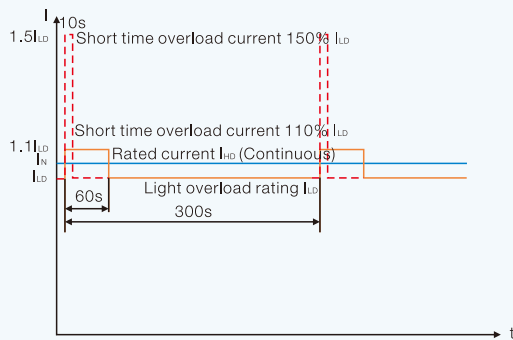
Naming rule

GD880 - 51 - 0650 - 6 - LC

Description	Example
Abbreviation of product series	GD880: GD880 Series Engineer VFD
Product type	11: Variable-frequency drive unit 16: 2-quadrant variable-frequency drive cabinet 41: 3PH braking unit 46: 3PH braking cabinet 51: Inverter unit 56: Inverter cabinet 71: Basic rectifier unit 76: Basic rectifier cabinet 81: Regenerative rectifier unit 86: Regenerative rectifier cabinet 91: Active rectifier unit 96: Active rectifier cabinet 09: DC/DC Converter 26: Active-rectifier 4-quadrant variable-frequency drive cabinet 36: Smart-rectifier 4-quadrant variable-frequency drive cabinet
Rated value	Rated current: 650A Rated power: 41/46
Voltage class	4: 380- 440VAC 3PH ±10%, -15%<1min 6: 520- 690VAC 3PH ±10%, -15%<1min
Product management No.	Default: Air cooling LC: Liquid-cooling N: A8n unit L2: A8L2 unit K: Frame structure

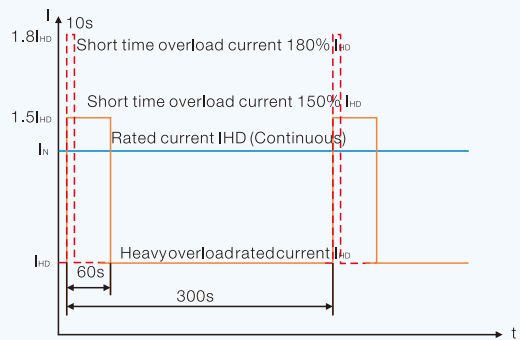
Overload curve

Based on light overload continuous operating current I_{LD} , the power unit has overload capacity of 110% overload for 60 seconds every 5 minutes or 150% overload for 10 seconds every 5 minutes.



Light overload application

Based on heavy overload continuous operating current I_{HD} , the power unit has overload capacity of 150% overload for 60 seconds every 5 minutes or 180% overload for 10 seconds every 5 minutes.



Heavy overload application

Note: The 10s short-term overload current is related to the unit temperature, and different overload modes are different.

GD880-71 basic rectifier unit

U_N = 400V (range 380 to 480V). The power ratings are valid at nominal voltage 400V (475 to 3616kW).

Drive type	Nominal ratings					Light overload use		Heavy overload use		Frame size	Heat dissipation kW	Air flow m ³ /h
	I _N A(AC)	I _N A(DC)	I _{max} A(DC)	S _N kVA	P _N kW	I _{LD} A(DC)	P _{LD} kW	I _{HD} A(DC)	P _{HD} kW			

6-pulse

GD880-71-0718-4	718	879	1142	497	475	844	456	659	356	D8T	2.8	1500
GD880-71-0980-4	980	1200	1560	680	648	1154	623	901	487	D8T	3	1500
GD880-71-1336-4	1336	1635	2126	926	883	1570	848	1226	662	2*D8T	5.6	3000
GD880-71-1822-4	1822	2232	2902	1263	1205	2143	1157	1670	902	2*D8T	6	3000
GD880-71-2734-4	2734	3348	4353	1895	1808	3214	1736	2504	1352	3*D8T	9	4500
GD880-71-3645-4	3645	4464	5804	2525	2411	4285	2314	3339	1803	4*D8T	12	6000
GD880-71-4556-4	4556	5580	7254	3156	3013	5357	2893	4174	2254	5*D8T	15	7500
GD880-71-5467-4	5467	6696	8705	3788	3616	6428	3471	5009	2705	6*D8T	18	9000

12-pulse

GD880-71-1336-4 (12DF)	1336	1635	2126	926	883	1570	848	1226	662	2*D8T	5.6	3000
GD880-71-1822-4 (12DF)	1822	2232	2902	1263	1205	2143	1157	1670	902	2*D8T	6	3000
GD880-71-2672-4 (12DF)	2672	3270	4252	1852	1766	3140	1696	2452	1324	4*D8T	11.2	6000
GD880-71-3645-4 (12DF)	3645	4464	5804	2525	2408	4285	2314	3339	1803	4*D8T	12	6000
GD880-71-4008-4 (12DF)	4008	4905	6378	2778	2649	4710	2544	3678	1986	6*D8T	16.8	9000
GD880-71-5467-4 (12DF)	5467	6696	8705	3788	3616	6428	3471	5009	2705	6*D8T	18	9000

* The panel and control unit need to be purchased separately. For details, see the option list.

U_N = 690V (range 520 to 690V). The power ratings are valid at nominal voltage 690V (650 to 5183kW).

Drive type	Nominal ratings					Light overload use		Heavy overload use		Frame size	Heat dissipation kW	Air flow m ³ /h
	I _N A(AC)	I _N A(DC)	I _{max} A(DC)	S _N kVA	P _N kW	I _{LD} A(DC)	P _{LD} kW	I _{HD} A(DC)	P _{HD} kW			

6-pulse

GD880-71-0570-6	570	698	907	682	650	670	624	523	487	D8T	2.5	1500
GD880-71-0815-6	815	998	1297	974	929	958	892	748	697	D8T	2.8	1500
GD880-71-1061-6	1061	1299	1688	1268	1210	1247	1161	974	907	2*D8T	5	3000
GD880-71-1515-6	1515	1854	2411	1810	1727	1780	1658	1391	1295	2*D8T	5.6	3000
GD880-71-2273-6	2273	2782	3617	2716	2591	2671	2488	2087	1944	3*D8T	8.4	4500
GD880-71-3031-6	3031	3710	4823	3622	3456	3561	3317	2782	2592	4*D8T	11.2	6000
GD880-71-3788-6	3788	4636	6027	4527	4319	4451	4146	3477	3239	5*D8T	14	7500
GD880-71-4546-6	4546	5564	7233	5433	5183	5341	4976	4173	3887	6*D8T	16.8	9000

12-pulse

GD880-71-1061-6 (12DF)	1061	1299	1688	1268	1210	1247	1161	974	907	2*D8T	5	3000
GD880-71-1515-6 (12DF)	1515	1854	2411	1810	1727	1780	1658	1391	1295	2*D8T	5.6	3000
GD880-71-2122-6 (12DF)	2122	2597	3376	2536	2419	2493	2323	1948	1814	4*D8T	10	6000
GD880-71-3031-6 (12DF)	3031	3710	4823	3622	3456	3561	3317	2782	2592	4*D8T	11.2	6000
GD880-71-4546-6 (12DF)	4546	5564	7233	5433	5183	5341	4976	4173	3887	6*D8T	16.8	9000

* The panel and control unit need to be purchased separately. For details, see the option list.

Frame size	Height (mm)	Width (mm)	Depth (mm)	Weight (kg)
D8T	1275	230	584	210

Note:

Nominal ratings: I_N, Rated current available continuously without overloadability at 40 °C. I_{max}, Maximum output current. Available for 10 seconds at start, then as long as allowed by drive temperature.

Light overload use: I_{LD}, Continuous current allowing 110% I_{LD} for 1 minute every 5 minutes at 40 °C.

Heavy overload use: I_{HD}, Continuous current allowing 150% I_{HD} for 1 minute every 5 minutes at 40 °C.

GD880-81 regenerative rectifier unit

U_N = 400V (range 380 to 480V). The power ratings are valid at nominal voltage 400V (76 to 3513kW).

Drive type	Nominal ratings					Light overload use		Heavy overload use		Frame size	Heat dissipation kW	Air flow m ³ /h
	I _N A(AC)	I _N A(DC)	I _{max} A(DC)	S _N kVA	P _N kW	I _{LD} A(DC)	P _{LD} kW	I _{HD} A(DC)	P _{HD} kW			
GD880-81-0116-4	116	141	184	80	76	135	73	106	57	A4+L	1.03	255
GD880-81-0149-4	149	181	236	102	97	174	94	136	73	A4+L	1.32	255
GD880-81-0183-4	183	223	290	126	120	214	115	167	90	A4+L	1.62	255
GD880-81-0245-4	245	299	389	169	161	287	155	224	121	A6+L	2.18	1000
GD880-81-0299-4	299	365	475	206	197	351	189	274	148	A6+L	2.67	1000
GD880-81-0349-4	349	426	555	241	230	410	221	320	172	A7+L	2.93	1000
GD880-81-0395-4	395	483	628	273	261	464	250	362	195	A7+L	3.32	1000
GD880-81-0516-4	516	631	820	357	341	606	327	473	255	A7+L	4.34	1000
GD880-81-0640-4	640	783	1018	443	423	752	406	587	317	A8+L	4.9	2500
GD880-81-0757-4	757	923	1201	522	497	886	478	692	373	A8+L	5.2	2500
GD880-81-0900-4	900	1102	1432	624	595	1057	571	826	446	A8+L	6.88	2500
GD880-81-1180-4	1180	1445	1879	818	780	1387	749	1081	584	2*A8+L	8.4	4000
GD880-81-1770-4	1770	2168	2818	1226	1171	2081	1124	1622	876	2*A8+L	12.2	4000
GD880-81-2360-4	2360	2890	3758	1636	1560	2774	1498	2162	1168	2*(2*A8+L)	16.8	8000
GD880-81-3540-4	3540	4336	5636	2452	2342	4162	2248	3244	1752	2*(2*A8+L)	24.4	8000
GD880-81-5310-4	5310	6504	8454	3678	3513	6243	3372	4866	2628	3*(2*A8+L)	36.6	12000

* The control unit needs to be used in conjunction with the AC voltage detection module and the fiber optic communication module.

* The panel needs to be purchased separately for the products in the A6 or A7 frame.

* The panel and control unit need to be purchased separately for the products in the A8 frame.

* The products in the A8 or above frame use fast connection structures, products in the L frame adopt regenerative filter unit, while products in other frames use discrete regenerative filter.

U_N = 690V (range 520 to 690V). The power ratings are valid at nominal voltage 690V (685 to 6057kW).

Drive type	Nominal ratings					Light overload use		Heavy overload use		Frame size	Heat dissipation kW	Air flow m ³ /h
	I _N A(AC)	I _N A(DC)	I _{max} A(DC)	S _N kVA	P _N kW	I _{LD} A(DC)	P _{LD} kW	I _{HD} A(DC)	P _{HD} kW			
GD880-81-0600-6	600	734	955	717	685	705	657	550	512	A8+L	5.4	2500
GD880-81-0900-6	900	1102	1432	1076	1027	1058	986	824	768	A8+L	7.2	2500
GD880-81-1180-6	1180	1445	1879	1410	1346	1387	1292	1081	1007	2*A8+L	9.3	4000
GD880-81-1770-6	1770	2168	2818	2115	2019	2081	1939	1622	1510	2*A8+L	12.3	4000
GD880-81-2360-6	2360	2890	3758	2820	2692	2774	2584	2162	2014	2*(2*A8+L)	18.6	8000
GD880-81-3540-6	3540	4336	5636	4230	4038	4162	3878	3244	3020	2*(2*A8+L)	24.6	8000
GD880-81-5310-6	5310	6504	8454	6345	6057	6243	5817	4866	4530	3*(2*A8+L)	36.9	12000

* The panel and control unit need to be purchased separately for the products, and the control unit needs to be used in conjunction with.

the AC voltage detection module and the fiber optic communication module.

* The products in the A8 or above frame use fast connection structures, and products in the L frame adopts regenerative filter unit.

Frame size	Height (mm)	Width (mm)	Depth (mm)	Weight (kg)
A4	439	200	435	19.5
A6	850	200	465	45
A7	980	200	465	55
A8+L	1275	500	584	420
2*A8+L	1275	730	584	615

Note:

Nominal ratings: I_N, Rated current available continuously without overloadability at 40 °C. I_{max}, Maximum output current. Available for 10 seconds at start, then as long as allowed by drive temperature.

Light overload use: I_{LD}, Continuous current allowing 110% I_{LD} for 1 minute every 5 minutes at 40 °C.

Heavy overload use: I_{HD}, Continuous current allowing 150% I_{HD} for 1 minute every 5 minutes at 40 °C.

GD880-91 active rectifier unit

U_N = 400V (range 380 to 480V). The power ratings are valid at nominal voltage 400V (64 to 3167kW).

Drive type	Nominal ratings					Light overload use		Heavy overload use		Frame size	Heat dissipation kW	Air flow m ³ /h
	I _N A(AC)	I _N A(DC)	I _{max} A(DC)	S _N kVA	P _N kW	I _{LD} A(DC)	P _{LD} kW	I _{HD} A(DC)	P _{HD} kW			
GD880-91-0094-4	94	115	150	67	64	111	62	92	48	A3+LCL	2.01	255
GD880-91-0116-4	116	142	185	82	78	136	76	113	59	A4+LCL	2.46	255
GD880-91-0149-4	149	183	237	107	102	175	98	141	77	A4+LCL	3.21	255
GD880-91-0183-4	183	224	291	132	126	215	120	184	94	A4+LCL	3.96	255
GD880-91-0220-4	220	270	350	158	151	259	145	202	113	A6+LCL	4.74	1000
GD880-91-0260-4	260	319	414	186	178	306	171	239	133	A6+LCL	5.58	1000
GD880-91-0312-4	312	382	497	224	214	367	205	287	161	A7+LCL	6.72	1000
GD880-91-0395-4	395	484	629	284	271	465	260	363	203	A7+LCL	8.52	1000
GD880-91-0516-4	516	632	822	371	354	607	339	474	265	A7+LCL	11.13	1000
GD880-91-0615-4	615	753	979	442	422	723	405	565	317	A8+LCL	13.26	3000
GD880-91-0681-4	681	834	1084	485	463	801	449	626	347	A8+LCL	14.55	3000
GD880-91-0810-4	810	992	1290	582	556	953	533	744	417	A8+LCL	17.46	3000
GD880-91-0980-4	980	1201	1561	699	667	1152	646	900	500	2*A8+LCL	20.97	4500
GD880-91-1168-4	1168	1431	1860	840	802	1374	769	1073	602	2*A8+LCL	25.2	4500
GD880-91-1295-4	1295	1586	2062	930	888	1523	852	1190	666	2*A8+LCL	27.9	4500
GD880-91-1539-4	1539	1885	2451	1106	1056	1810	1013	1414	792	2*A8+LCL	33.18	4500
GD880-91-2336-4	2185	2677	3480	1570	1499	2570	1439	2007	1124	2*(2*A8+LCL)	47.1	9000
GD880-91-3078-4	3078	3771	4902	2211	2111	3620	2027	2828	1583	2*(2*A8+LCL)	66.33	9000
GD880-91-4617-4	4617	5656	7353	3317	3167	5430	3040	4242	2375	3*(2*A8+LCL)	99.51	13500

* The control unit needs to be used in conjunction with the AC voltage detection module and the fiber optic communication module.

* The panel needs to be purchased separately for the products in the A6 or A7 frame.

* The panel and control unit need to be purchased separately for the products in the A8 frame.

* The products in the A8 or above frame use fast connection structures, products in the LCL frame adopt LCL filter unit, while products in otherframes use LCL filter assemblies.

U_N = 690V (range 520 to 690V). The power ratings are valid at nominal voltage 690V (437 to 6070kW).

Drive type	Nominal ratings					Light overload use		Heavy overload use		Frame size	Heat dissipation kW	Air flow m ³ /h
	I _N A(AC)	I _N A(DC)	I _{max} A(DC)	S _N kVA	P _N kW	I _{LD} A(DC)	P _{LD} kW	I _{HD} A(DC)	P _{HD} kW			
GD880-91-0369-6	369	452	588	458	437	434	419	339	327	A8+LCL	13.11	3000
GD880-91-0477-6	477	584	760	591	564	561	541	438	422	A8+LCL	16.92	3000
GD880-91-0540-6	540	662	860	669	639	635	613	496	479	A8+LCL	19.17	3000
GD880-91-0701-6	701	859	1116	868	829	824	796	644	622	2*A8+LCL	24.87	4500
GD880-91-0906-6	906	1110	1443	1123	1072	1065	1029	832	804	2*A8+LCL	32.16	4500
GD880-91-1026-6	1026	1257	1634	1272	1214	1207	1165	943	910	2*A8+LCL	36.42	4500
GD880-91-1402-6	1402	1717	2233	1738	1659	1649	1592	1288	1244	2*(2*A8+LCL)	49.77	9000
GD880-91-2052-6	2052	2514	3268	2543	2428	2413	2331	1885	1821	2*(2*A8+LCL)	72.84	9000
GD880-91-3078-6	3078	3771	4902	3815	3642	3620	3496	2828	2731	3*(2*A8+LCL)	109.26	13500
GD880-91-4104-6	4104	4692	6100	4904	4856	4504	4660	3520	3640	4*(2*A8+LCL)	145.68	18000
GD880-91-5130-6	5130	5865	7625	6130	6070	5630	5825	4400	4550	5*(2*A8+LCL)	182.1	22500

* The panel and control unit need to be purchased separately for the products in the A8 frame.

* The products in the A8 or above frame use fast connection structures, products in the LCL frame adopt LCL filter unit, while products in otherframes use LCL filter assemblies.

Frame size	Height (mm)	Width (mm)	Depth (mm)	Weight (kg)
A3	440	100	435	6.5
A4	440	200	435	19.5
A6	850	200	465	45
A7	980	200	465	55
A8+LCL	1275	500	584	465
2*A8+LCL	1275	730	584	630

Note:

Nominal ratings: I_N , Rated current available continuously without overloadability at 40 °C. I_{max} , Maximum output current. Available for 10 seconds at start, then as long as allowed by drive temperature.

Light overload use: I_{LD} , Continuous current allowing 110% I_{LD} for 1 minute every 5 minutes at 40 °C.

Heavy overload use: I_{HD} , Continuous current allowing 150% I_{HD} for 1 minute every 5 minutes at 40 °C.

GD880-51 inverter unit

Input: 510...720Vdc output: 0-0.7*Vdc The power ratings are valid at nominal voltage 400V (4 to 3000kW).

Drive type	Nominal ratings			Light overload use		Heavy overload use		Frame size	Heat dissipation kW	Air flow m ³ /h
	I_N A(AC)	I_{max} A(AC)	P_N kW(AC)	I_{LD} A(AC)	P_{LD} kW(AC)	I_{HD} A(AC)	P_{HD} kW(AC)			
GD880-51-0009-4	9	11	4	9	4	5.1	2.2	A1i	0.1	17
GD880-51-0013-4	13	15.6	5.5	13	5.5	9	4	A1i	0.14	17
GD880-51-0017-4	17	21	7.5	17	7.5	13	5.5	A1i	0.17	17
GD880-51-0023-4	23	27	11	22	11	17	7.5	A1i	0.19	17
GD880-51-0033-4	33	40	15	32	15	25	11	A2i	0.29	68
GD880-51-0038-4	38	51	18.5	37	18.5	32	15	A2i	0.31	68
GD880-51-0048-4	48	59	22	45	22	37	18.5	A2i	0.41	94
GD880-51-0060-4	60	72	30	58	30	45	22	A3i	0.51	110
GD880-51-0078-4	78	96	37	75	37	60	30	A3i	0.61	128
GD880-51-0094-4	94	120	45	91	45	75	37	A3i	0.75	179
GD880-51-0116-4	116	146	55	112	55	91	45	A4i	0.78	255
GD880-51-0149-4	149	179	75	143	75	112	55	A4i	1.2	255
GD880-51-0183-4	183	240	90	176	90	150	75	A4i	1.5	255
GD880-51-0245-4	245	294	110	236	110	184	90	A6i	1.8	1000
GD880-51-0299-4	299	358	132	287	132	224	110	A6i	2.2	1000
GD880-51-0349-4	349	419	160	335	160	262	132	A7i	2.6	1000
GD880-51-0395-4	395	486	200	380	200	296	160	A7i	3.2	1000
GD880-51-0516-4	516	619	250	495	250	387	200	A7i	5.2	1000
GD880-51-0639-4	639	766	355	613	315	479	250	A8i/A8n/A8L2	6.8	1500
GD880-51-0757-4	757	909	400	727	400	568	315	A8i/A8n/A8L2	8	1500
GD880-51-0900-4	900	1080	500	864	450	675	355	A8i/A8n/A8L2	10	1500
GD880-51-0975-4	975	1170	560	945	500	731	400	A8i/A8n/A8L2	10.1	1500
GD880-51-1213-4	1213	1456	630	1165	630	910	500	2*A8i/A8L2	13.6	3000
GD880-51-1439-4	1439	1727	800	1381	800	1079	630	2*A8i/A8L2	16	3000
GD880-51-1710-4	1710	2052	1000	1642	900	1283	710	2*A8i/A8L2	20	3000
GD880-51-1852-4	1852	2222	1000	1795	1000	1388	800	2*A8i/A8L2	21.2	3000
GD880-51-2158-4	2158	2590	1200	2072	1200	1619	900	3*A8i/A8L2	24	4500
GD880-51-2565-4	2565	3078	1400	2463	1400	1924	1000	3*A8i/A8L2	30	4500
GD880-51-2778-4	2778	3333	1500	2693	1500	2083	1100	3*A8i/A8L2	31.8	4500
GD880-51-3420-4	3420	4104	1800	3283	1800	2565	1400	4*A8i/A8L2	40	6000
GD880-51-3704-4	3704	4444	2000	3590	2000	2776	1500	4*A8i/A8L2	42.4	6000
GD880-51-4275-4	4275	5130	2400	4104	2200	3206	1800	5*A8i/A8L2	50	7500
GD880-51-4630-4	4630	5556	2500	4488	2500	3471	1900	5*A8i/A8L2	53	7500
GD880-51-5130-4	5130	6156	2800	4925	2800	3848	2000	6*A8i/A8L2	60	9000
GD880-51-5556-4	5556	6666	3000	5386	3000	4166	2300	6*A8i/A8L2	63.6	9000

- * The panel needs to be purchased separately for the products in the A6 or A7 frame.
- * The panel and control unit need to be purchased separately for the products in the A8 frame.
- * The products in the A8i frame use built-in output reactors, quick plug, backend cable exit.
- * The products in the A8n frame use direct connection, frontend cable exit, without output reactors.
- * The products in the A8L2 frame use built-in output reactors, frontend cable exit, and cable connection.

Input: 700...1035Vdc output: 0-0.7*Vdc The power ratings are valid at nominal voltage 690V (55 to 6300kW).

Drive type	Nominal ratings			Light overload use		Heavy overload use		Frame size	Heat dissipation kW	Air flow m ³ /h
	I _N A(AC)	I _{max} A(AC)	P _N kW(AC)	I _{LD} A(AC)	P _{LD} kW(AC)	I _{HD} A(AC)	P _{HD} kW(AC)			
GD880-51-0062-6	62	74	55	60	55	46	45	A6i	0.9	1000
GD880-51-0082-6	82	98	75	79	75	61	55	A6i	1.2	1000
GD880-51-0099-6	99	118	90	95	90	74	75	A6i	1.4	1000
GD880-51-0125-6	125	150	110	120	110	94	90	A6i	1.8	1000
GD880-51-0144-6	144	173	132	138	132	108	110	A6i	2.1	1000
GD880-51-0192-6	192	230	160	184	160	144	132	A6i	2.8	1000
GD880-51-0217-6	217	259	200	215	200	162	160	A7i	3.2	1000
GD880-51-0270-6	270	323	250	260	250	202	200	A7i	4	1000
GD880-51-0340-6	340	408	315	326	315	255	250	A7i	5.1	1000
GD880-51-0410-6	410	492	400	394	355	308	315	A8i/A8n/A8L2	6.2	1500
GD880-51-0530-6	530	636	500	509	450	398	355	A8i/A8n/A8L2	8	1500
GD880-51-0600-6	600	720	560	576	560	450	400	A8i/A8n/A8L2	9.1	1500
GD880-51-0650-6	650	780	630	624	560	488	450	A8i/A8n/A8L2	10.3	1500
GD880-51-0720-6	720	864	710	690	630	540	500	A8i/A8n/A8L2	11.7	1500
GD880-51-0779-6	779	935	800	748	710	584	560	2*A8i/A8L2	12.4	3000
GD880-51-1007-6	1007	1208	1000	967	900	755	710	2*A8i/A8L2	16	3000
GD880-51-1140-6	1140	1368	1100	1094	1000	855	800	2*A8i/A8L2	18.2	3000
GD880-51-1235-6	1235	1482	1200	1186	1000	927	900	2*A8i/A8L2	20.6	3000
GD880-51-1368-6	1368	1642	1300	1311	1200	1026	1000	2*A8i/A8L2	22.5	3000
GD880-51-1510-6	1510	1813	1400	1450	1400	1133	1100	3*A8i/A8L2	24	4500
GD880-51-1710-6	1710	2052	1600	1642	1600	1283	1200	3*A8i/A8L2	27.3	4500
GD880-51-1853-6	1853	2223	1800	1778	1600	1390	1300	3*A8i/A8L2	30.9	4500
GD880-51-2052-6	2052	2462	2000	1967	1800	1539	1500	3*A8i/A8L2	32.3	4500
GD880-51-2280-6	2280	2736	2000	2189	2000	1710	1600	4*A8i/A8L2	36.4	6000
GD880-51-2470-6	2470	2964	2400	2371	2000	1854	1800	4*A8i/A8L2	41.2	6000
GD880-51-2736-6	2736	3283	2600	2622	2400	2052	2000	4*A8i/A8L2	45	6000
GD880-51-3088-6	2850	3420	2800	2736	2400	2138	2000	5*A8i/A8L2	51.5	7500
GD880-51-3420-6	3420	4104	3200	3278	3200	2565	2400	5*A8i/A8L2	54.8	7500
GD880-51-3705-6	3705	4446	3600	3557	3200	2782	2600	6*A8i/A8L2	61.8	9000
GD880-51-4104-6	4104	4925	4000	3933	3600	3078	3000	6*A8i/A8L2	64.6	9000
GD880-51-4940-6	4940	5928	4800	4744	4000	3708	3600	8*A8i/A8L2	82.4	12000
GD880-51-5472-6	5472	6566	5200	5244	4800	4104	4000	8*A8i/A8L2	93.6	12000
GD880-51-6175-6	6175	7410	6000	5930	5000	4635	4500	10*A8i/A8L2	103	15000
GD880-51-6840-6	6840	8208	6300	6555	6300	5130	5000	10*A8i/A8L2	117	15000

- * The panel needs to be purchased separately for the products in the A6 or A7 frame.
- * The panel and control unit need to be purchased separately for the products in the A8 frame.
- * The products in the A8i frame use built-in output reactors, quick plug, backend cable exit.
- * The products in the A8n frame use direct connection, frontend cable exit, without output reactors.
- * The products in the A8L2 frame use built-in output reactors, frontend cable exit, and cable connection.

Frame size	Height (mm)	Width (mm)	Depth (mm)	Weight (kg)
A1i	418	100	435	6.5
A2i	439	100	435	6.5
A3i	439	100	435	6.5
A4i	439	200	435	19.5
A6i	850	200	465	45
A7i	980	200	465	55
A8i	1275	230	584	165
A8n	1275	230	584	85

Note:

Nominal ratings: I_N , Rated current available continuously without overloadability at 40 °C. I_{max} , Maximum output current. Available for 10 seconds at start, then as long as allowed by drive temperature.

Light overload use: I_{LD} , Continuous current allowing 110% I_{LD} for 1 minute every 5 minutes at 40 °C.

Heavy overload use: I_{HD} , Continuous current allowing 150% I_{HD} for 1 minute every 5 minutes at 40 °C.

GD880-11 variable-frequency drive unit

UN= 440V (range 380 to 480V). The power ratings are valid at nominal voltage 440V (5.5 to 500kW) (E frame).												
Drive type	Nominal ratings			Light overload use			Heavy overload use			Frame size	Heat dissipation kW	Air flow m ³ /h
	I_A A(AC)	I_N A(AC)	P_N kW(AC)	I_{LD} A(AC)	I_{LD} A(AC)	P_{LD} kW(AC)	I_{HD} A(AC)	I_{HD} A(AC)	P_{HD} kW(AC)			
GD880-11-0013-4-B	21	14	5.5	19.5	13.5	5.5	13.5	9.5	4	E3	0.18	53.3
GD880-11-0017-4-B	27	19	7.5	25	17	7.5	19.5	13.5	5.5		0.31	
GD880-11-0023-4-B	30	23	11	30	23	11	25	17	7.5	E4	0.34	100.8
GD880-11-0033-4-B	40	32	15	40	32	15	32	25	11		0.52	
GD880-11-0038-4-B	45	38	18.5	45	38	18.5	40	32	15	E5	0.53	131.5
GD880-11-0048-4-B	51	45	22	51	45	22	45	38	18.5		0.59	
GD880-11-0060-4-B	64	60	30	64	60	30	51	45	22	E6	0.75	340.8
GD880-11-0078-4-B	80	75	37	80	75	37	64	60	30		0.96	
GD880-11-0094-4-B	98	92	45	98	92	45	80	75	37	E7	1.13	752.4
GD880-11-0116-4	128	115	55	128	115	55	98	92	45		1.19	
GD880-11-0149-4	139	150	75	139	150	75	128	115	55	E7	1.48	752.4
GD880-11-0170-4	168	170	90	168	170	90	139	150	75		1.88	
GD880-11-0215-4	201	215	110	201	215	110	168	180	90	E8	2.02	849.5
GD880-11-0260-4	265	260	132	265	260	132	201	215	110		2.59	
GD880-11-0305-4	310	305	160	310	305	160	265	260	132	E9	2.78	1443
GD880-11-0340-4	345	340	185	345	340	185	310	305	160		3.01	
GD880-11-0380-4	385	380	200	385	380	200	345	340	185	E11	3.18	1798
GD880-11-0425-4	430	425	220	430	425	220	385	380	200		3.61	
GD880-11-0480-4	460	480	250	460	480	250	430	425	220	E11	3.93	1798
GD880-11-0530-4	500	530	280	500	530	280	460	480	250		5.6	
GD880-11-0600-4	580	600	315	580	600	315	500	530	280	E11	6.13	1798
GD880-11-0650-4	625	650	355	625	650	355	580	600	315		6.61	
GD880-11-0720-4	715	720	400	715	720	400	625	650	355	E12	6.98	2697
GD880-11-0820-4	840	820	450	840	820	450	715	720	400		7.66	
GD880-11-0860-4	890	860	500	890	860	500	840	820	450	E12	8	2697

U_N = 400V (range 380 to 480V). The power ratings are valid at nominal voltage 440V (355 to 1100kW) (11A8 frame).

Drive type	Nominal ratings			Light overload use			Heavy overload use			Frame size	Heat dissipation kW	Air flow m ³ /h
	I _L A(AC)	I _N A(AC)	P _N kW(AC)	I _{LD} A(AC)	I _{LD} A(AC)	P _{LD} kW(AC)	I _{HD} A(AC)	I _{HD} A(AC)	P _{HD} kW(AC)			
GD880-11-0639-4	556	639	355	556	613	315	417	479	250	11A8	6.8	1500
GD880-11-0757-4	627	757	400	627	727	400	471	568	315	11A8	8	1500
GD880-11-0900-4	783	900	500	783	864	450	588	675	355	11A8	10	1500
GD880-11-0975-4	848	975	560	848	945	500	636	731	400	11A8	10.1	1500
GD880-11-1213-4	987	1213	630	987	1165	630	741	910	500	2*11A8	13.6	3000
GD880-11-1439-4	1254	1439	800	1254	1381	800	941	1079	630	2*11A8	16	3000
GD880-11-1710-4	1566	1710	1000	1566	1642	900	1175	1283	710	2*11A8	20	3000
GD880-11-1852-4	1611	1852	1100	1611	1795	1000	1209	1388	800	2*11A8	21.2	3000

U_N = 690V (range 520 to 690V). The power ratings are valid at nominal voltage 690V (400 to 1300kW) (11A8 frame).

Drive type	Nominal ratings			Light overload use			Heavy overload use			Frame size	Heat dissipation kW	Air flow m ³ /h
	I _L A(AC)	I _N A(AC)	P _N kW(AC)	I _{LD} A(AC)	I _{LD} A(AC)	P _{LD} kW(AC)	I _{HD} A(AC)	I _{HD} A(AC)	P _{HD} kW(AC)			
GD880-11-0410-6	364	410	400	364	394	355	316	308	315	11A8	6.2	1500
GD880-11-0530-6	455	530	500	455	509	450	387	398	355	11A8	8	1500
GD880-11-0600-6	509	600	560	509	576	560	476	450	400	11A8	9.1	1500
GD880-11-0650-6	573	650	630	573	624	560	494	488	450	11A8	10.3	1500
GD880-11-0720-6	645	720	710	645	690	630	565	540	500	11A8	11.7	1500
GD880-11-0779-6	727	779	800	727	748	710	663	584	560	2*11A8	12.4	3000
GD880-11-1007-6	910	1007	1000	910	967	900	814	755	710	2*11A8	16	3000
GD880-11-1140-6	1000	1140	1100	1000	1094	1000	878	855	800	2*11A8	18.2	3000
GD880-11-1235-6	1090	1235	1200	1090	1186	1000	883	927	900	2*11A8	20.6	3000
GD880-11-1368-6	1182	1368	1300	1182	1311	1200	1037	1026	1000	2*11A8	22.5	3000

Note:

The panel and control unit need to be purchased separately for the products in the GD880–11 Variable–frequency drive unit.

Nominal ratings: I_N, Rated current available continuously without overloadability at 40 °C. I_{max}, Maximum output current. Available for 10 seconds at start, then as long as allowed by drive temperature.

Light overload use: I_{LD}, Continuous current allowing 110% I_{LD} for 1 minute every 5 minutes at 40 °C.

Heavy overload use: I_{HD}, Continuous current allowing 150% I_{HD} for 1 minute every 5 minutes at 40 °C.

GD880-41 3PH braking unit

Input: 510...720VDC, The power ratings are valid at nominal voltage 400V (500 to 750kW).

Drive type	Resistor values		U _{br} V	Nominal ratings			Duty cycle use (1min/5min)			Frame size	Heat dissipation kW	Air flow m ³ /h
	ohm	ohm		I _{DC} A(DC)	I _{rms} A(AC)	P _N kW	I _{DC} A(DC)	I _{rms} A(AC)	P _{HB} kW			
GD880-41-0500-4	R _{min}	1.7	653	781	310	500	999	351	640	A8b/A8n	1.5	1500
	R _{max}	2.1	653	650	258	416	832	291	530	A8b/A8n	1.3	1500
GD880-41-0750-4	R _{min}	1.2	653	1171	465	750	1499	527	960	A8b/A8n	2.4	1500
	R _{max}	1.4	653	975	387	624	1249	436	800	A8b/A8n	2.0	1500

Input: 700...1035VDC, The power ratings are valid at nominal voltage 690V (870 to 1300kW).

Drive type	Resistor values		U _{br}	Nominal ratings			Duty cycle use (1min/5min)			Frame size	Heat dissipation kW	Air flow m ³ /h
	ohm		V	I _{DC} A(DC)	I _{rms} A(AC)	P _N kW	I _{DC} A(DC)	I _{rms} A(AC)	P _{HB} kW			
GD880-41-0870-6	R _{min}	3.0	1126	781	310	870	999	351	1100	A8b/A8n	1.6	1500
	R _{max}	3.6	1126	650	258	725	832	291	920	A8b/A8n	1.4	1500
GD880-41-1300-6	R _{min}	2.0	1126	1171	465	1300	1499	527	1655	A8b/A8n	2.5	1500
	R _{max}	2.4	1126	975	387	1080	1249	436	1390	A8b/A8n	2.1	1500

Frame size	Height (mm)	Width (mm)	Depth (mm)	Weight (kg)
A8b	1275	230	584	100
A8n	1275	230	584	85

Note:
 The panel and control unit need to be purchased separately for the products in the GD880-41 braking unit.
 Nominal ratings: I_{DC}, Total input DC current of brake unit. I_{rms}, Total rms DC output phase current of brake unit.
 Duty cycle use: I_{DC}, Total input DC current of brake unit during a period of 1 minute with braking power P_{br}. I_{rms}, Total rms DC current per brake unit phase during a period of 1 minute with braking power P_{br}.

GD880-LC liquid-cooling unit

U_N=690V (range: 520-690V). The power ratings are valid at nominal voltage 690V (400-630kW).

Drive type	Nominal ratings			Light overload use		Heavy overload use		Frame size	Heat dissipation C/a/T kW	Rated water flow L/min
	I _N A(AC)	I _{max} A(AC)	P _N kW(AC)	I _{LD} A(AC)	P _{LD} kW(AC)	I _{HD} A(AC)	P _{HD} kW(AC)			
GD880-51-0410-6-LC	410	492	400	394	355	308	315	A8LC	6.8/0.4/7.2	16
GD880-51-0530-6-LC	530	636	500	509	450	398	355		8.8/0.5/9.3	
GD880-51-0600-6-LC	600	720	560	576	560	450	400		9.9/0.7/10.6	
GD880-51-0650-6-LC	650	780	630	624	560	488	450		10.7/0.7/11.4	

U_N=690V (range: 520-690V). The power ratings are valid at nominal voltage 690V (2283kW).

Drive type	Nominal ratings			Light overload use		Heavy overload use		Frame size	Heat dissipation C/a/T kW	Rated water flow L/min
	I _N A(AC)	I _{max} A(AC)	P _N kW(AC)	I _{LD} A(AC)	P _{LD} kW(AC)	I _{HD} A(AC)	P _{HD} kW(AC)			
GD880-61-2000-6-LC	2000	2450	2283	2352	2192	1833	1708	D3D	11	16

U_N=690V (range: 520-690V). The power ratings are valid at nominal voltage 690V (315-500kW).

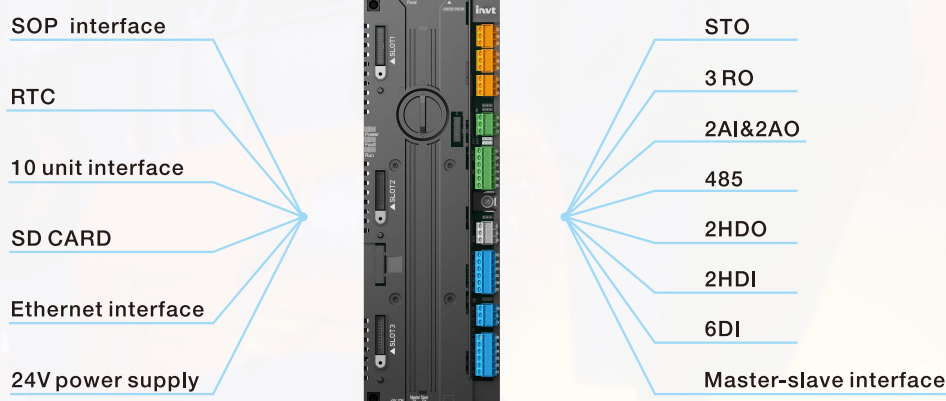
Drive type	Nominal ratings			Light overload use		Heavy overload use		Frame size	Heat dissipation C/a/T kW	Rated water flow L/min
	I _N A(AC)	I _{max} A(AC)	P _N kW(AC)	I _{LD} A(AC)	P _{LD} kW(AC)	I _{HD} A(AC)	P _{HD} kW(AC)			
GD880-11-0340-6-LC	340	408	315	326	315	255	250	A8LC	5.8/0.4/6.2	16
GD880-11-0410-6-LC	410	492	400	394	355	308	315		7.0/0.4/7.4	
GD880-11-0530-6-LC	530	636	500	509	450	398	355		9.0/0.5/9.5	

Note: c=Power loss dissipated in the coolant; a=Power loss dissipated in the air; T=Total power loss;
 The above losses are only unit losses, excluding reactor losses;
 The panel and control unit need to be purchased separately for the products in the GD880-51LC/GD880-11LC unit.

Frame size	Height (mm)	Width (mm)	Depth (mm)	Weight (kg)
A8LC	910	230	538	85
D3	197	580	332	40

Note:
 Nominal ratings: I_N, Rated current available continuously without overloadability at 40 °C. I_{max}, Maximum output current. Available for 10 seconds at start, then as long as allowed by drive temperature.
 Light overload use: I_{LD}, Continuous current allowing 110% I_{LD} for 1 minute every 5 minutes at 40 °C.
 Heavy overload use: I_{HD}, Continuous current allowing 150% I_{HD} for 1 minute every 5 minutes at 40 °C.

Control unit

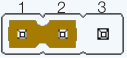
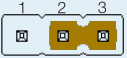
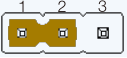
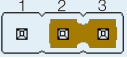
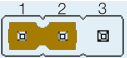

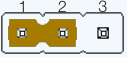
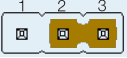
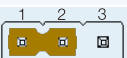



GD880 – ICU - 11

Description	Example
Abbreviation of product series	GD880: GD880 series engineering VFD
Control unit type	ICU: Inverter control unit TCU: Basic rectifier control unit RCU: Regenerative rectifier control unit ACU: Active rectifier control unit DCU: DC/DC control unit BCU: 3PH braking control unit
Master-slave	1: Master/slave interface (Rectification without master-slave)
Unit connection	1: One power unit (rectifier /inverter units) 2: Two power units (regenerative /active rectifier units) 3: Three power units (basic rectifier units or inverter units) 4: Four power units (regenerative /active rectifier units) 6: Six power units (rectifier /inverter units) A: Ten power units (active rectifier /inverter units)

Control unit interface description

Terminal NO.	Terminal identification	Terminal Description	Cable specifications
Input power supply			
1	+24E	24Vdc±10%2A	Two-core twisted-pair cable is recommended Cross-sectional area: 0.5-2.5mm ²
2	CM		
Digital input			
1	DI1	1. Input impedance: 3.3kΩ 2. Voltage input range: 12-30V 3. Supports NPN and PNP bi- direction input, relay contact input 4. Max. input frequency: 1kHz	Single-core wire Cross-sectional area: 0.5- 2.5mm ²
2	DI2		
3	DI3		
4	DI4		
5	DI5		
6	DI6		

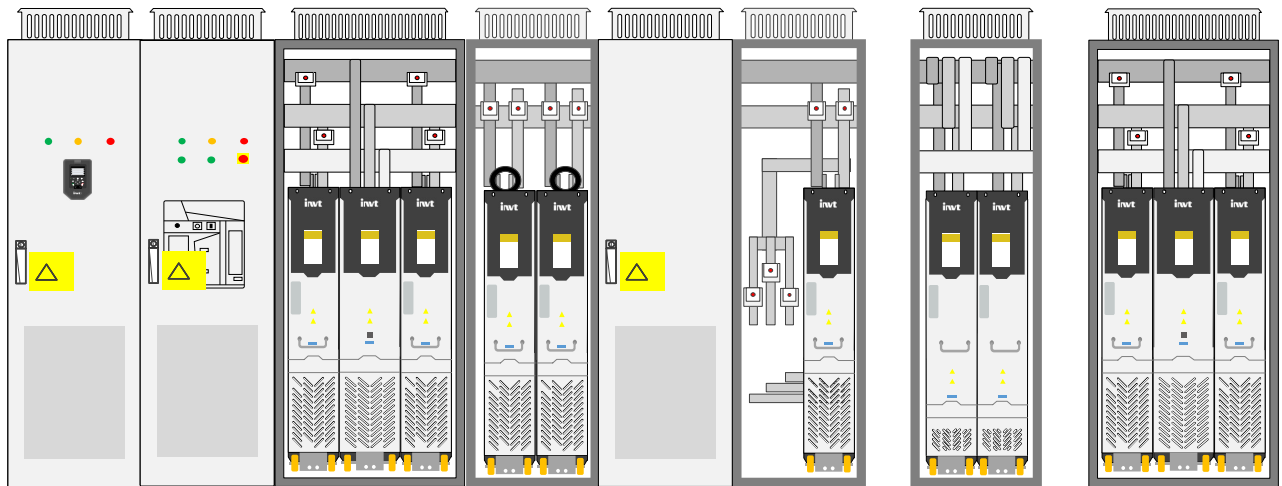
Terminal NO.	Terminal identification		Cable specifications
DIL			
1	DIL	Digital interlocking: When its input is high, all other input terminals are forced to be invalid	Two-core twisted-pair cable is recommended Cross-sectional area: 0.5-2.5mm ²
2	PW	Provides power supply for DIL, DI1–DI6, HDI, HDO	
3	COM	Digital input Common ground	
Jumper J10: Power selection			
		When pin 1 and pin 2 are short-circuited, i.e. the PW and internal COM are connected, DI uses the internal power ground. If the external power supply is used, the shorting cap should be removed.	
		When pin 2 and pin 3 are short-circuited, i.e. the PW and internal +24V are connected, DI uses the internal power. If the external power supply is used, the shorting cap should be removed.	
HDIO			
1	+24	1. Input Type: PNP, NPN 2. Input frequency range: 0-50kHz 3. Input Voltage range: 12-30V 4. Duty cycle: 30%-70%	Two-core twisted-pair cable is recommended. Cross-sectional area: 0.5–2.5mm ² HDI and COM, HDO and COM use twisted-pair cables.
2	HDI1		
3	HDI2		
4	COM	1. Output Type: OC 2. Output frequency range: 0-50kHz 3. Max. output load: 20mA/30V 4. Duty ratio: 50%	
5	HDO1		
6	HDO2		
485 Communication terminal			
1	485+	RS485 bus, standard 5V level Terminal resistance: 120 Ω Maximum Baud Rate: 115200 Maximum nodes: 32 (without relay)	Two-core twisted-pair cable is recommended. Cross-sectional area: 0.5-2.5mm ²
2	485-		
3	PE		
Jumper J8: Terminal resistance selection			
		When 1 and 2 are short-circuited, the terminal resistor is disconnected.	
		When 2 and 3 are short-circuited, the terminal resistor is connected.	
Analog input terminal			
1	-10V	Positive and negative 10V-30V power supply Max. output current: 10mA	When two AIs are used, use two two-core shielded twisted-pair cables. When reference voltage is used, use one four-core shielded twisted-pair cable for one AI.
2	+10V		
3	AI1+	Current input: -20mA– 20mA, Rin: 500Ω Voltage input: -10V–10V, Rin: 30kΩ Differential input range: ±30V Sampling interval: 0.1ms Resolution: 11 bit+signbit	
4	AI1-		
5	AI2+		
6	AI2-		
Jumper J4: Selection between AI1 voltage and current signal inputs			
		When 1 and 2 are short-circuited, AI1 current input is used.	
		When 2 and 3 are short-circuited, AI1 voltage input is used.	
Jumper J5: Selection between AI2 voltage and current signal inputs			
		When 1 and 2 are short-circuited, AI2 current input is used.	
		When 2 and 3 are short-circuited, AI2 voltage input is used.	
Analog output terminal			
Analog output	AO1	AO output range: 0–20mA, Rload ≤ 500Ω 0–10V, Rload ≥ 10kΩ Resolution: 11 bit+signbit Accuracy: 2% of full scale range	Two-core twisted-pair cable is recommended. Cross-sectional area: 0.5–2.5mm ² AO1 and GND, AO2 and GND use twisted-pair cables.
	GND		
	AO2		
Jumper J6: Selection between AO1 voltage and current signal outputs			
		When 1 and 2 are short-circuited, AO1 current output is used.	
		When 2 and 3 are short-circuited, AO1 voltage output is used.	

Terminal NO.	Terminal identification	Terminal Description	Cable specifications
Jumper J7: AO2 voltage or current signal output selection			
		Short circuit between 1 and 2, AO2 current output	
		Short circuit between 2 and 3, AO2 voltage output	
Relay 1 output terminal			
1	RO1A	Output type: passive normally open and normally closed contacts Contact parameters: 250Vac/30Vdc, 3A	Single core wire cross-sectional area: 0.5-2.5mm ²
2	RO1B		
3	RO1C		
Relay 2 output terminal			
1	RO2A	open and normally closed contacts Contact parameters: 250Vac/30Vdc, 3A	Single core wire cross-sectional area: 0.5-2.5mm ²
2	RO2B		
3	RO2C		
Relay 3 output terminal			
1	RO3A	open and normally closed contacts Contact parameters: 250Vac/30Vdc, 3A	Single core wire cross-sectional area: 0.5-2.5mm ²
2	RO3B		
3	RO3C		
Master-slave optical fiber			
1	TX	Sending (fiber-optic communication)	Fiber optic
2	RX	Receive (fiber-optic communication)	
Safety torque interrupt			
1	STO1	Inverter module safety torque interrupt input Factory default short circuit	Recommend using 4-core twisted pair cables cross-sectional area: 0.5-2.5mm ²
2	+24V		
3	STO2		
4	+24V		
RJ45 for panel			
1	RJ45	Connect SOP-880 panel	CAT 6
RJ45 for Ethernet			
1	RJ45	Communicate with PC	CAT 6

Module options

Option type	Type	Category	Specification Data
Feedback interface module	EC-PG805-24	HTL encoder module	Supporting open collector, push-pull, and differential encoders, and pulse reference and frequency-divided output Supporting PT100 based temperature detection
	EC-PG805-05	TTL encoder module	Supporting differential or RS422 signal input encoders, and pulse reference and frequency-divided output Supporting PT100 based temperature detection
	EC-PG804	Resolver encoder module	Rotary transformer type encoder; 10/20KHz optional, supports KTY84 or PT100 temperature detection
Communication module	EC-TX803	Profibus-DP communication module	Profibus-DP, 9.6Kbit-12Mbit/S
	EC-TX809	Profinet IO communication module	Profinet IO, 100Mbit/S
	EC-TX805	CANopen communication module	CANopen, 20Kbit-1Mbit/S
Fiber optic module	EC-TX821	1-channel fiber-optic module	1-channel 50M fiber-optic module
	EC-TX823	3-channel fiber-optic module	3-channel 50M fiber-optic module
I/O module	EC-IO801	I/O module	3DI+2AI+2AO+1RO
Voltage detection module	IVDM-10	AC voltage detection module	0-100VAC or 0-690VAC
	IVDM-20	DC voltage detection module	0-1000VDC

Cabinet code description



Control cabinet (CU) Incoming cabinet (LCM) Active rectifier cabinet (ASU) Inverter cabinet (INV) Combiner cabinet (ACC) Braking cabinet (BKC) Basic rectifier cabinet (TSU) Regenerative rectifier cabinet (RSU)

Name	Code	Size (W*H*D)	Description
Incoming cabinet (LCM)	LCM11	400*2140*650	800A circuit breaker cabinet
	LCM12	400*2140*650	1000A circuit breaker cabinet
	LCM13	400*2140*650	1250A circuit breaker cabinet
	LCM14	400*2140*650	1600A circuit breaker cabinet
	LCM25	600*2140*650	2000A circuit breaker cabinet
	LCM26	600*2140*650	2500A circuit breaker cabinet
	LCM27	600*2140*650	3200A circuit breaker cabinet
	LCM58	1000*2140*650	4000A circuit breaker cabinet
	LCM59	1000*2140*650	5000A circuit breaker cabinet
	LCM5A	1000*2140*650	6300A circuit breaker cabinet
Control cabinet (CU)	CU11	400*2140*650	Control cabinet 1 (can housing up to 4 control units)
	CU22	600*2140*650	Control cabinet 2 (can housing up to 6 control units)
Basic rectifier cabinet (TSU)	TSU11	400*2140*650	Basic rectifier cabinet 1 (1*D8T)
	TSU22	600*2140*650	Basic rectifier cabinet 2 (2*D8T)
	TSU33	800*2140*650	Basic rectifier cabinet 3 (3*D8T)
Regenerative rectifier cabinet (RSU)	RSU21	600*2140*650	Regenerative rectifier cabinet 1 (A8+L)
	RSU42	850*2140*650	Regenerative rectifier cabinet 2 (2*A8+L)
Active rectifier cabinet (ASU)	ASU21	600*2140*650	Active rectifier cabinet 1 (A8+LCL)
	ASU42	850*2140*650	Active rectifier cabinet 2 (2*A8+LCL)
Inverter cabinet (INV)	INV11	400*2140*650	Inverter cabinet (A6i~A8i)
	INV22	600*2140*650	Inverter cabinet (2*A8i)
	INV33	800*2140*650	Inverter cabinet (3*A8i)
Braking cabinet (BKC)	BKC21	600*2140*650	
Combiner cabinet	ACC	600*2140*650	Mainly used for bus connection and motor output cable convergency

GD880-76 basic rectifier cabinet (TSU)

U _N =400V (range: 380-480V).The power ratings are valid at nominal voltage 400V (475-3616kW).													
Drive type	Nominal ratings					Light overload use		Heavy overload use		Frame size	Heat dissipation kW	Air flow m ³ /h	Size (W*H*D)
	I _N A(AC)	I _N A(DC)	I _{max} A(DC)	S _N kVA	P _N kW	I _{LD} A(DC)	P _{LD} kW	I _{HD} A(DC)	P _{HD} kW				
6 pulse													
GD880-76-0718-4	718	879	1142	497	475	844	456	659	356	LCM11+TSU11	2.8	1500	800*2140*650
GD880-76-0980-4	980	1200	1560	680	648	1154	623	901	487	LCM12+TSU11	3	1500	800*2140*650
GD880-76-1336-4	1336	1635	2126	926	883	1570	848	1226	662	LCM14+TSU22	5.6	3000	1000*2140*650
GD880-76-1822-4	1822	2232	2902	1263	1205	2143	1157	1670	902	CU11+LCM25+TSU22	6	3000	1600*2140*650
GD880-76-2734-4	2734	3348	4353	1895	1808	3214	1736	2504	1352	CU11+LCM27+TSU33	9	4500	1800*2140*650
GD880-76-3645-4	3645	4464	5804	2525	2411	4285	2314	3339	1803	CU11+LCM58+2*TSU22	12	6000	2600*2140*650
GD880-76-4556-4	4556	5580	7254	3156	3013	5357	2893	4174	2254	CU11+LCM59+TSU33+TSU22	15	7500	2800*2140*650
GD880-76-5467-4	5467	6696	8705	3788	3616	6428	3471	5009	2705	CU11+LCM5A+2*TSU33	18	9000	3000*2140*650
12 pulse													
GD880-76-1336-4(12DF)	1336	1635	2126	926	883	1570	848	1226	662	2*LCM11+TSU22	5.6	3000	1400*2140*650
GD880-76-1822-4(12DF)	1822	2232	2902	1263	1205	2143	1157	1670	902	2*LCM12+TSU22	6	3000	1400*2140*650
GD880-76-2672-4(12DF)	2672	3273	4255	1852	1767	3142	1697	2455	1325	2*LCM14+2*TSU22	11.2	2*3000	2000*2140*650
GD880-76-3645-4(12DF)	3645	4464	5804	2525	2408	4285	2314	3339	1803	CU12+2*LCM25+2*TSU22	12	2*3000	2800*2140*650
GD880-76-4008-4(12DF)	4008	4906	6377	2777	2649	4709	2543	3679	1987	CU12+2*LCM26+2*TSU33	16.8	2*4500	3200*2140*650
GD880-76-5467-4(12DF)	5467	6696	8705	3788	3616	6428	3471	5009	2705	CU12+2*LCM27+2*TSU33	18	2*4500	3200*2140*650

U _N =690V (range: 520-690V).The power ratings are valid at nominal voltage 690V (650-5183kW).													
Drive type	Nominal ratings					Light overload use		Heavy overload use		Frame size	Heat dissipation kW	Air flow m ³ /h	Size (W*H*D)
	I _N A(AC)	I _N A(DC)	I _{max} A(DC)	S _N kVA	P _N kW	I _{LD} A(DC)	P _{LD} kW	I _{HD} A(DC)	P _{HD} kW				
6 pulse													
GD880-76-0570-6	570	698	907	682	650	670	624	523	487	LCM11+TSU11	2.5	1500	800*2140*650
GD880-76-0815-6	815	998	1297	974	929	958	892	748	697	LCM12+TSU11	2.8	1500	800*2140*650
GD880-76-1061-6	1061	1299	1688	1268	1210	1247	1161	974	907	LCM13+TSU22	5	3000	1000*2140*650
GD880-76-1515-6	1515	1854	2411	1810	1727	1780	1658	1391	1295	LCM14+TSU22	5.6	3000	1000*2140*650
GD880-76-2273-6	2273	2782	3617	2716	2591	2671	2488	2087	1944	CU11+LCM26+TSU33	8.4	4500	1800*2140*650
GD880-76-3031-6	3031	3710	4823	3622	3456	3561	3317	2782	2592	CU11+LCM27+2*TSU22	11.2	6000	2200*2140*650
GD880-76-3788-6	3788	4636	6027	4527	4319	4451	4146	3477	3239	CU11+LCM58+TSU22+TSU33	14	7500	2800*2140*650
GD880-76-4546-6	4546	5564	7233	5433	5183	5341	4976	4173	3887	CU11+LCM59+2*TSU33	16.8	9000	3000*2140*650
12 pulse													
GD880-76-1061-6(12DF)	1061	1299	1688	1268	1210	1247	1161	974	907	2*LCM11+TSU22	5	3000	1400*2140*650
GD880-76-1515-6(12DF)	1515	1854	2411	1810	1727	1780	1658	1391	1295	2*LCM12+TSU22	5.6	3000	1400*2140*650
GD880-76-2122-6(12DF)	2122	2597	3376	2536	2419	2493	2323	1948	1814	2*LCM13+2*TSU22	10	2*3000	2000*2140*650
GD880-76-3031-6(12DF)	3031	3710	4823	3622	3456	3561	3317	2782	2592	2*LCM14+2*TSU22	11.2	2*3000	2000*2140*650
GD880-76-4546-6(12DF)	4546	5564	7233	5433	5183	5341	4976	4173	3887	CU12+2*LCM27+2*TSU33	16.8	2*4500	3200*2140*650

Note:

Nominal ratings: I_N indicates the continuous operating current without overload at 40°C, while I_{max} indicates max. output current.

Light overload use: I_{LD} indicates the light overload continuous operating current. 110%*I_{LD} is allowed for 1 minute every 5 minutes at 40°C.

Heavy overload use: I_{HD} indicates the heavy overload continuous operating current. 150%*I_{HD} is allowed for 1 minute every 5 minutes at 40°C.

GD880-86 regenerative rectifier cabinet (RSU)

U_N=400V (range: 380-480V). The power ratings are valid at nominal voltage 400V (161-3513kW).

Drive type	Nominal ratings					Light overload use		Heavy overload use		Frame size	Heat dissipation kW	Air flow m ³ /h	Size (W*H*D)
	I _N A(AC)	I _N A(DC)	I _{max} A(DC)	S _N kVA	P _N kW	I _{LD} A(DC)	P _{LD} kW	I _{HD} A(DC)	P _{HD} kW				
GD800-86-0245-4	245	299	389	169	161	287	155	224	121	RSU31	2.18	1000	800*2140*650
GD800-86-0299-4	299	365	475	206	197	351	189	274	148	RSU31	2.66	1000	800*2140*650
GD800-86-0349-4	349	426	555	241	230	410	221	320	172	RSU31	2.92	1000	800*2140*650
GD800-86-0395-4	395	483	628	273	261	464	250	362	195	RSU31	3.32	1000	800*2140*650
GD800-86-0516-4	516	631	820	357	341	606	327	473	255	RSU31	4.34	1000	800*2140*650
GD880-86-0640-4	640	783	1018	443	423	752	406	587	317	LCM11+RSU21	4.9	2500	1000*2140*650
GD800-86-0757-4	757	923	1201	522	497	886	478	692	373	LCM11+RSU21	5.2	2500	1000*2140*650
GD880-86-0900-4	900	1102	1432	624	595	1057	571	826	446	LCM12+RSU21	6.88	2500	1000*2140*650
GD880-86-1180-4	1180	1445	1879	818	780	1387	749	1081	584	LCM13+RSU42	8.4	4000	1250*2140*650
GD880-86-1770-4	1770	2168	2818	1226	1171	2081	1124	1622	876	CU11+LCM25+RSU42	12.2	4000	1850*2140*650
GD880-86-2360-4	2360	2890	3758	1636	1560	2774	1498	2162	1168	CU11+LCM26+2*RSU42	16.8	8000	2700*2140*650
GD880-86-3540-4	3540	4336	5636	2452	2342	4162	2248	3244	1752	CU11+LCM58+2*RSU42	24.4	8000	3100*2140*650
GD880-86-5310-4	5310	6504	8454	3678	3513	6243	3372	4866	2628	CU11+LCM5A+3*RSU42	36.6	12000	3950*2140*650

U_N=690V (range: 520-690V). The power ratings are valid at nominal voltage 690V (685-6057kW).

Drive type	Nominal ratings					Light overload use		Heavy overload use		Frame size	Heat dissipation kW	Air flow m ³ /h	Size (W*H*D)
	I _N A(AC)	I _N A(DC)	I _{max} A(DC)	S _N kVA	P _N kW	I _{LD} A(DC)	P _{LD} kW	I _{HD} A(DC)	P _{HD} kW				
GD880-86-0600-6	600	734	955	717	685	705	657	550	512	LCM11+RSU21	5.4	2500	1000*2140*650
GD880-86-0900-6	900	1102	1432	1076	1027	1058	986	824	768	LCM12+RSU21	7.2	2500	1000*2140*650
GD880-86-1180-6	1180	1445	1879	1410	1346	1387	1292	1081	1007	LCM13+RSU42	9.3	4000	1250*2140*650
GD880-86-1770-6	1770	2168	2818	2115	2019	2081	1939	1622	1510	CU11+LCM25+RSU42	12.3	4000	1850*2140*650
GD880-86-2360-6	2360	2890	3758	2820	2692	2774	2584	2162	2014	CU11+LCM26+2*RSU42	18.6	8000	2700*2140*650
GD880-86-3540-6	3540	4336	5636	4230	4038	4162	3878	3244	3020	CU11+LCM58+2*RSU42	24.6	8000	3100*2140*650
GD880-86-5310-6	5310	6504	8454	6345	6057	6243	5817	4866	4530	CU11+LCM5A+3*RSU42	36.9	12000	3950*2140*650

Note:

Nominal ratings: I_N indicates the continuous operating current without overload at 40°C, while I_{max} indicates max. output current.

Light overload use: I_{LD} indicates the light overload continuous operating current. 110%*I_{LD} is allowed for 1 minute every 5 minutes at 40°C.

Heavy overload use: I_{HD} indicates the heavy overload continuous operating current. 150%*I_{HD} is allowed for 1 minute every 5 minutes at 40°C.

GD880-96 active rectifier cabinet (ASU)

U _N =400V (range: 380-480V).The power ratings are valid at nominal voltage 400V (151-3167kW).													
Drive type	Nominal ratings					Light overload use		Heavy overload use		Frame size	Heat dissipation kW	Air flow m ³ /h	Size (W*H*D)
	I _N A(AC)	I _N A(DC)	I _{max} A(DC)	S _N kVA	P _N kW	I _{LD} A(DC)	P _{LD} kW	I _{HD} A(DC)	P _{HD} kW				
GD880-96-0220-4	220	251	326	153	151	241	145	188	113	ASU31	4.53	1000	800*2140*650
GD880-96-0260-4	260	296	385	179	178	284	171	222	133	ASU31	5.34	1000	800*2140*650
GD880-96-0312-4	312	355	462	216	214	341	205	266	161	ASU31	6.42	1000	800*2140*650
GD880-96-0395-4	395	452	587	274	271	433	260	339	203	ASU31	8.13	1000	800*2140*650
GD880-96-0516-4	516	590	767	357	354	565	339	442	265	ASU31	10.62	1000	800*2140*650
GD880-96-0615-4	615	701	911	426	422	673	405	526	317	LCM11+ASU21	12.66	3000	1000*2140*650
GD880-96-0681-4	681	775	1014	471	463	746	449	586	347	LCM11+ASU21	13.89	3000	1000*2140*650
GD880-96-0810-4	810	926	1204	561	556	889	533	694	417	LCM12+ASU21	16.68	3000	1000*2140*650
GD880-96-0980-4	980	1117	1452	678	672	1080	645	838	505	LCM12+ASU42	20.16	4500	1250*2140*650
GD880-96-1168-4	1168	1332	1731	809	802	1288	769	999	602	LCM13+ASU42	24.06	4500	1250*2140*650
GD880-96-1295-4	1295	1480	1925	897	888	1421	852	1110	666	LCM14+ASU42	26.64	4500	1250*2140*650
GD880-96-1539-4	1539	1759	2287	1066	1056	1689	1013	1319	792	LCM14+ASU42	31.68	4500	1250*2140*650
GD880-96-2336-4	2336	2664	3462	1618	1604	2576	1538	1998	1204	CU11+LCM26+2*ASU42	48.12	9000	2700*2140*650
GD880-96-3078-4	3078	3519	4574	2132	2111	3378	2027	2639	1583	CU11+LCM27+2*ASU42	63.33	9000	2700*2140*650
GD880-96-4617-4	4617	5278	6861	3199	3167	5067	3040	3958	2375	CU11+LCM59+3*ASU42	95.01	13500	3950*2140*650

U _N =690V (range: 520-690V).The power ratings are valid at nominal voltage 690V (437-6070kW).													
Drive type	Nominal ratings					Light overload use		Heavy overload use		Frame size	Heat dissipation kW	Air flow m ³ /h	Size (W*H*D)
	I _N A(AC)	I _N A(DC)	I _{max} A(DC)	S _N kVA	P _N kW	I _{LD} A(DC)	P _{LD} kW	I _{HD} A(DC)	P _{HD} kW				
GD880-96-0369-6	369	422	548	441	437	405	419	316	327	LCM11+ASU21	13.11	3000	1000*2140*650
GD880-96-0477-6	477	545	570	708	564	523	541	408	422	LCM11+ASU21	16.9	3000	1000*2140*650
GD880-96-0540-6	540	617	802	645	639	593	613	463	479	LCM11+ASU21	19.2	3000	1000*2140*650
GD880-96-0701-6	701	801	1042	838	829	769	796	601	622	LCM11+ASU42	24.9	4500	1250*2140*650
GD880-96-0906-6	906	1036	1082	1347	1072	994	1029	777	804	LCM11+ASU42	32.2	4500	1250*2140*650
GD880-96-1026-6	1026	1173	1525	1226	1214	1126	1165	880	910	LCM13+ASU42	36.4	4500	1250*2140*650
GD880-96-1402-6	1402	1603	2083	1676	1659	1539	1592	1202	1244	LCM14+2*ASU42	49.8	9000	2100*2140*650
GD880-96-2052-6	2052	2346	3049	2452	2428	2252	2331	1759	1821	CU11+LCM26+2*ASU42	72.8	9000	2700*2140*650
GD880-96-3078-6	3078	3519	4574	3678	3642	3378	3496	2639	2731	CU11+LCM27+3*ASU42	109.2	13500	3550*2140*650
GD880-96-4140-6	4140	4692	6100	4904	4856	4504	4660	3520	3640	CU11+LCM59+4*ASU42	145.6	18000	4800*2140*650
GD880-96-5130-6	5130	5865	7625	6130	6070	5630	5825	4400	4550	CU11+LCM5A+5*ASU42	182	22500	5650*2140*650

Note:

Nominal ratings: I_n indicates the continuous operating current without overload at 40°C, while I_{max} indicates max. output current.

Light overload use: I_{LD} indicates the light overload continuous operating current. 110%*I_{LD} is allowed for 1 minute every 5 minutes at 40°C.

Heavy overload use: I_{HD} indicates the heavy overload continuous operating current. 150%*I_{HD} is allowed for 1 minute every 5 minutes at 40°C.

GD880-56 inverter cabinet (INV)

$U_N=400V$ (range: 380-480V). The power ratings are valid at nominal voltage 400V (110-3000kW).

Drive type	Nominal ratings			Light overload use		Heavy overload use		Frame size	Heat dissipation kW	Air flow m ³ /h	Size (W*H*D)
	I _N A(AC)	I _{max} A(AC)	P _N kW	I _{LD} A(AC)	P _{LD} kW	I _{HD} A(AC)	P _{HD} kW				
GD880-56-0245-4	245	294	110	236	110	184	90	INV11	1.8	1000	400*2140*650
GD880-56-0299-4	299	358	132	287	132	224	110	INV11	2.2	1000	400*2140*650
GD880-56-0349-4	349	419	160	335	160	262	132	INV11	2.6	1000	400*2140*650
GD880-56-0395-4	395	486	200	380	200	296	160	INV11	3.2	1000	400*2140*650
GD880-56-0516-4	516	619	250	495	250	387	200	INV11	5.2	1000	400*2140*650
GD880-56-0639-4	639	766	355	613	315	479	250	CU11+INV11	6.8	1500	800*2140*650
GD880-56-0757-4	757	909	400	727	400	568	315	CU11+INV11	8	1500	800*2140*650
GD880-56-0900-4	900	1080	500	864	450	675	355	CU11+INV11	10	1500	800*2140*650
GD880-56-0975-4	975	1170	560	945	500	731	400	CU11+INV11	10.6	1500	800*2140*650
GD880-56-1213-4	1213	1456	630	1165	630	910	500	CU11+INV22	13.6	3000	1000*2140*650
GD880-56-1439-4	1439	1727	800	1381	800	1079	630	CU11+INV22	16	3000	1000*2140*650
GD880-56-1710-4	1710	2052	1000	1642	900	1283	710	CU11+INV22	20	3000	1000*2140*650
GD880-56-1852-4	1852	2223	1000	1795	1000	1388	800	CU11+INV22	21.2	3000	1000*2140*650
GD880-56-2158-4	2158	2590	1200	2072	1200	1619	900	CU11+INV33	24	4500	1200*2140*650
GD880-56-2565-4	2565	3078	1400	2463	1400	1924	1000	CU11+INV33	30	4500	1200*2140*650
GD880-56-2778-4	2778	3334.5	1500	2693.25	1500	2083.35	1100	CU11+INV33	31.8	4500	1200*2140*650
GD880-56-3420-4	3420	4104	1800	3283	1800	2565	1400	CU11+2*INV22	40	6000	1600*2140*650
GD880-56-3704-4	3704	4446	2000	3590	2000	2776	1500	CU11+2*INV22	42.4	6000	1600*2140*650
GD880-56-4275-4	4275	5130	2400	4104	2000	3206	1800	CU11+INV22+INV33	50	7500	1800*2140*650
GD880-56-4630-4	4630	5557.5	2500	4488.25	2500	3471.35	1900	CU11+INV22+INV33	53	7500	1800*2140*650
GD880-56-5130-4	5130	6156	2800	4925	2400	3848	2100	CU11+2*INV33	60	9000	2000*2140*650
GD880-56-5556-4	5556	6669	3000	5386.5	3000	4166.7	2300	CU11+2*INV33	63.6	9000	2000*2140*650

U_N=690V (range: 520-690V).The power ratings are valid at nominal voltage 690V (55-6300kW).

Drive type	Nominal ratings			Light overload use		Heavy overload use		Frame size	Heat dissipation kW	Air flow m ³ /h	Size (W*H*D)
	I _N A(AC)	I _{max} A(AC)	P _N kW	I _{LD} A(AC)	P _{LD} kW	I _{HD} A(AC)	P _{HD} kW				
GD880-56-0062-6	62	74	55	60	55	46	45	INV11	0.9	1000	400*2140*650
GD880-56-0082-6	82	98	75	79	75	61	55	INV11	1.2	1000	400*2140*650
GD880-56-0099-6	99	118	90	95	90	74	75	INV11	1.4	1000	400*2140*650
GD880-56-0125-6	125	150	110	120	110	94	90	INV11	1.8	1000	400*2140*650
GD880-56-0144-6	144	173	132	138	132	108	110	INV11	2.1	1000	400*2140*650
GD880-56-0192-6	192	230	160	184	160	144	132	INV11	2.8	1000	400*2140*650
GD880-56-0217-6	217	259	200	215	200	162	160	INV11	3.2	1000	400*2140*650
GD880-56-0270-6	270	323	250	260	250	202	200	INV11	4	1000	400*2140*650
GD880-56-0340-6	340	408	315	326	315	255	250	INV11	5.1	1000	400*2140*650
GD880-56-0410-6	410	492	400	394	355	308	315	CU11+INV11	6.2	1500	800*2140*650
GD880-56-0530-6	530	636	500	509	450	398	355	CU11+INV11	8	1500	800*2140*650
GD880-56-0600-6	600	720	560	576	560	450	400	CU11+INV11	9.1	1500	800*2140*650
GD880-56-0650-6	650	780	630	624	560	488	450	CU11+INV11	10.3	1500	800*2140*650
GD880-56-0720-6	720	864	710	690	630	540	500	CU11+INV11	11.7	1500	800*2140*650
GD880-56-0779-6	779	935	800	748	710	584	560	CU11+INV22	12.4	3000	1000*2140*650
GD880-56-1007-6	1007	1208	1000	967	900	755	710	CU11+INV22	16	3000	1000*2140*650
GD880-56-1140-6	1140	1368	1100	1094	1000	855	800	CU11+INV22	18.2	3000	1000*2140*650
GD880-56-1235-6	1235	1482	1200	1186	1000	927	900	CU11+INV22	20.6	3000	1000*2140*650
GD880-56-1368-6	1368	1642	1300	1311	1200	1026	1000	CU11+INV22	22.5	3000	1000*2140*650
GD880-56-1510-6	1510	1813	1400	1450	1400	1133	1100	CU11+INV33	24	4500	1200*2140*650
GD880-56-1710-6	1710	2052	1600	1642	1600	1283	1200	CU11+INV33	27.3	4500	1200*2140*650
GD880-56-1853-6	1852.5	2223	1800	1778.4	1600	1390.8	1300	CU11+INV33	30.9	4500	1200*2140*650
GD880-56-2052-6	2052	2462	2000	1967	1800	1539	1500	CU11+INV33	32.3	4500	1200*2140*650
GD880-56-2280-6	2280	2736	2000	2189	2000	1710	1600	CU11+2*INV22	36.4	6000	1600*2140*650
GD880-56-2470-6	2470	2964	2400	2372	2000	1854	1800	CU11+2*INV22	41.2	6000	1600*2140*650
GD880-56-2736-6	2736	3284	2600	2622	2400	2052	2000	CU11+2*INV22	45	6000	1600*2140*650
GD880-56-3088-6	3087.5	3705	3000	2964.4	2600	2317.8	2200	CU11+INV22+INV33	51.5	7500	1800*2140*650
GD880-56-3420-6	3420	4104	3300	3278	3000	2565	2500	CU11+INV22+INV33	54.8	7500	1800*2140*650
GD880-56-3705-6	3705	4446	3600	3556.8	3200	2781.6	2600	CU11+2*INV33	61.8	9000	2000*2140*650
GD880-56-4104-6	4104	4924	4000	3934	3600	3078	3000	CU11+2*INV33	64.6	9000	2000*2140*650
GD880-56-4940-6	4940	5928	4800	4744	4000	3708	3600	CU11+4*INV22	82.4	12000	2800*2140*650
GD880-56-5472-6	5472	6566	5200	5244	4800	4104	4000	CU11+4*INV22	93.6	12000	2800*2140*650
GD880-56-6175-6	6175	7410	6000	5930	5000	4635	4500	CU11+5*INV22	103	15000	3400*2140*650
GD880-56-6840-6	6840	8208	6300	6555	6300	5130	5000	CU11+5*INV22	117	15000	3400*2140*650

Note:

Nominal ratings: I_N indicates the continuous operating current without overload at 40°C, while I_{max} indicates max. output current.

Light overload use: I_{LD} indicates the light overload continuous operating current. 110%*I_{LD} is allowed for 1 minute every 5 minutes at 40°C.

Heavy overload use: I_{HD} indicates the heavy overload continuous operating current. 150% *I_{HD} is allowed for 1 minute every 5 minutes at 40°C.

GD880-46 braking cabinet (BKC)

U_N=400V (range: 380-480V). The power ratings are valid at nominal voltage 400V (500-750kW).

Drive type	Resistor values		U _{br} V	Nominal ratings			Duty cycle use (1min/5min)			Frame size	Heat dissipation kW	Air flow m ³ /h	Size (W*H*D)
	ohm	ohm		I _{dc} A(DC)	I _{rms} A(AC)	P _N kW	I _{dc} A(DC)	I _{rms} A(AC)	P _{HB} kW				
GD880-46-0500-4	R _{min}	1.7	653	781	310	500	999	351	640	BKC21	1.5	1500	600*2140*650
	R _{max}	2.1	653	650	258	416	832	291	530		1.3	1500	
GD880-46-0750-4	R _{min}	1.2	653	1171	465	750	1499	527	960	BKC21	2.4	1500	600*2140*650
	R _{max}	1.4	653	975	387	624	1249	436	800		2.0	1500	

U_N=690V (range: 520-690V). The power ratings are valid at nominal voltage 690V (870-1300kW).

Drive type	Resistor values		U _{br} V	Nominal ratings			Duty cycle use (1min/5min)			Frame size	Heat dissipation kW	Air flow m ³ /h	Size (W*H*D)
	ohm	ohm		I _{dc} A(DC)	I _{rms} A(AC)	P _N kW	I _{dc} A(DC)	I _{rms} A(AC)	P _{HB} kW				
GD880-46-0870-6	R _{min}	3.0	1126	781	310	870	999	351	1100	BKC21	1.6	1500	600*2140*650
	R _{max}	3.6	1126	650	258	725	832	291	920		1.4	1500	
GD880-46-1300-6	R _{min}	2.0	1126	1171	465	1300	1499	527	1655	BKC21	2.5	1500	600*2140*650
	R _{max}	2.4	1126	975	387	1080	1249	436	1390		2.1	1500	

Note:

Nominal ratings: I_N indicates the continuous operating current without overload at 40°C, while I_{max} indicates max. output current.

Light overload use: I_{LD} indicates the light overload continuous operating current. 110%*I_{LD} is allowed for 1 minute every 5 minutes at 40°C.

Heavy overload use: I_{HD} indicates the heavy overload continuous operating current. 150%*I_{HD} is allowed for 1 minute every 5 minutes at 40°C.



GD880-16 variable-frequency cabinet

Drive type	Nominal ratings			Light overload use		Heavy overload use		Frame size	Heat dissipation kW	Air flow m ³ /h	Size (W*H*D)
	I _N A(AC)	I _N A(AC)	P _N kW(AC)	I _{Lb} A(AC)	P _{Lb} kW(AC)	I _{Hb} A(AC)	P _{Hb} kW(AC)				
U_N=400V (range 380 to 440 V). The power ratings are valid at nominal voltage 400V (355 to 1100kW) (11A8 frame)											
GD880-16-0639-4	556	639	355	613	315	479	250	16S4	7.5	1500	800*2300*650
GD880-16-0757-4	627	757	400	727	400	568	315		9.5		
GD880-16-0900-4	783	900	500	864	450	675	355		10.7		
GD880-16-0975-4	848	975	560	945	500	731	400		11.2		
GD880-16-1213-4	987	1213	630	1165	630	910	500	16S5	15	3000	1400*2300*650
GD880-16-1439-4	1254	1439	800	1381	800	1079	630		19		
GD880-16-1710-4	1566	1710	1000	1642	900	1283	710		21.4		
GD880-16-1852-4	1611	1852	1100	1795	1000	1388	800		24		
U_N=400V (range 380 to 440 V). The power ratings are valid at nominal voltage 400V (110 to 500kW) (E frame)											
GD880-16-0215-4	201	215	110	215	110	180	90	16S6	2.2	849.5	600*2140*650
GD880-16-0260-4	265	260	132	260	132	215	110		2.8	849.5	
GD880-16-0305-4	310	305	160	305	160	260	132	16S7	3	1443	600*2140*650
GD880-16-0340-4	345	340	185	340	185	305	160		3.2	1443	
GD880-16-0380-4	385	380	200	380	200	340	185	16S8	3.5	1798	800*2140*650
GD880-16-0425-4	430	425	220	425	220	380	200		3.9	1798	
GD880-16-0480-4	460	480	250	480	250	425	220		4.3	1798	
GD880-16-0530-4	500	530	280	530	280	480	250		6.7	2697	
GD880-16-0600-4	580	600	315	600	315	530	280	16S9	7	2697	800*2140*650
GD880-16-0650-4	625	650	355	650	355	600	315		7.8	2697	
GD880-16-0720-4	715	720	400	720	400	650	355	16S10	8.3	2697	800*2140*650
GD880-16-0820-4	840	820	450	820	450	720	400		9.1	2697	
GD880-16-0860-4	890	860	500	860	500	820	450		9.5	2697	
U_N=690V (range 520 to 690 V). The power ratings are valid at nominal voltage 690V (400 to 1300kW) (11A8 frame)											
GD880-16-0410-6	364	410	400	394	355	308	315	16S4	9.5	1500	800*2300*650
GD880-16-0530-6	455	530	500	509	450	398	355		10.8		
GD880-16-0600-6	509	600	560	576	560	450	400		12.1		
GD880-16-0650-6	573	650	630	624	560	488	450		13.4		
GD880-16-0720-6	645	720	710	690	630	540	500	16S5	15	3000	1400*2300*650
GD880-16-0779-6	727	779	800	748	710	584	560		19		
GD880-16-1007-6	910	1007	1000	967	900	755	710		21.6		
GD880-16-1140-6	1000	1140	1100	1094	1000	855	800		24.2		
GD880-16-1235-6	1090	1235	1200	1186	1000	927	900		26		
GD880-16-1368-6	1182	1368	1300	1311	1200	1026	1000		30		

Drive type	Nominal ratings			Light overload use		Heavy overload use		Frame size	Heat dissipation kW	Air flow m ³ /h	Size (W*H*D)
	I _N A(AC)	I _N A(AC)	P _N kW(AC)	I _{LD} A(AC)	P _{LD} kW(AC)	I _{HD} A(AC)	P _{HD} kW(AC)				
U_N=400V (range 380 to 440 V). The power ratings are valid at nominal voltage 400V (630 to 2000kW) (Multi frame)											
GD880-16-1213-4	987	1213	630	1165	630	910	500	CU12+LCM12+TSU11+INV22	16.6	4500	1800*2140*650
GD880-16-1439-4	1254	1439	800	1381	800	1079	630	CU12+LCM13+TSU22+INV22	21.6	6000	2000*2140*650
GD880-16-1710-4	1566	1710	1000	1642	900	1283	710	CU12+LCM14+TSU22+INV22	26	6000	2000*2140*650
GD880-16-1852-4	1696	1852	1000	1795	1000	1388	800	CU12+LCM14+TSU22+INV22	28.6	6000	2000*2140*650
GD880-16-2158-4	1880	2158	1200	2072	1200	1619	900	CU12+LCM25+TSU22+INV33	30	7500	2400*2140*650
GD880-16-2565-4	2139	2565	1400	2463	1400	1924	1000	CU12+LCM26+TSU33+INV33	39	9000	2600*2140*650
GD880-16-2778-4	2316	2778	1500	2693	1500	2083	1100	CU12+LCM26+TSU33+INV33	42.1	9000	2600*2140*650
GD880-16-3420-4	2820	3420	1800	3283	1800	2565	1400	CU12+LCM27+TSU33+2*INV22	49	10500	3000*2140*650
GD880-16-3704-4	3054	3704	2000	3590	2000	2776	1500	CU12+LCM58+2*TSU22+2*INV22	52.9	12000	3800*2140*650
U_N=690V (range 520 to 690 V). The power ratings are valid at nominal voltage 690V (800 to 4000kW) (Multi frame)											
GD880-16-0779-6	705	779	800	748	710	584	560	CU12+LCM11+TSU11+INV22	16.9	4500	1800*2140*650
GD880-16-1007-6	910	1007	1000	967	900	755	710	CU12+LCM12+TSU11+INV22	21.1	4500	1800*2140*650
GD880-16-1140-6	1000	1140	1100	1094	1000	855	800	CU12+LCM12+TSU22+INV22	23.2	6000	2000*2140*650
GD880-16-1235-6	1090	1235	1200	1186	1000	927	900	CU12+LCM13+TSU22+INV22	26	6000	2000*2140*650
GD880-16-1368-6	1182	1368	1300	1311	1200	1026	1000	CU12+LCM13+TSU22+INV22	27.5	6000	2000*2140*650
GD880-16-1510-6	1272	1510	1400	1450	1400	1133	1100	CU12+LCM13+TSU22+INV33	29.5	7500	2200*2140*650
GD880-16-1710-6	1453	1710	1600	1642	1600	1283	1200	CU12+LCM14+TSU22+INV33	32.9	7500	2200*2140*650
GD880-16-1853-6	1574	1853	1800	1778	1600	1390	1300	CU12+LCM14+TSU22+INV33	35.3	7500	2200*2140*650
GD880-16-2052-6	1816	2052	2000	1967	1800	1539	1500	CU12+LCM25+TSU33+INV33	41.7	9000	2600*2140*650
GD880-16-2280-6	2017	2280	2000	2189	2000	1710	1600	CU12+LCM26+TSU33+2*INV22	45.8	10500	3000*2140*650
GD880-16-2470-6	2185	2470	2400	2372	2000	1854	1800	CU12+LCM26+TSU33+2*INV22	52.2	10500	3000*2140*650
GD880-16-2736-6	2420	2736	2600	2622	2400	2052	2000	CU12+LCM26+TSU33+2*INV22	57.8	10500	3000*2140*650
GD880-16-3088-6	2731	3088	3000	2964	2600	2317	2200	CU12+LCM27+2*TSU22+INV22+INV33	63.8	13500	3600*2140*650
GD880-16-3420-6	3024	3420	3300	3278	3000	2565	2500	CU12+LCM27+2*TSU22+INV22+INV33	72.5	13500	3600*2140*650
GD880-16-3705-6	3276	3706	3600	3556	3200	2780	2600	CU12+LCM27+2*TSU22+3*INV22	75.4	15000	4000*2140*650
GD880-16-4104-6	3628	4104	4000	3934	3600	3078	3000	CU12+LCM58+2*TSU22+3*INV22	87	15000	4400*2140*650

Note:

Nominal ratings: I_N indicates the continuous operating current without overload at 40°C, while I_{max} indicates max. output current.

Light overload use: I_{LD} indicates the light overload continuous operating current. 110%*I_{LD} is allowed for 1 minute every 5 minutes at 40°C.

Heavy overload use: I_{HD} indicates the heavy overload continuous operating current. 150%*I_{HD} is allowed for 1 minute every 5 minutes at 40°C.

GD880-26 active rectifier variable frequency cabinet

U _N =400V (range 380 to 480V). The power ratings are valid at nominal voltage 400V (110 to 2000kW).											
Drive type	Nominal ratings			Light overload use		Heavy overload use		Frame size	Heat dissipation kW	Air flow m ³ /h	Size (W*H*D)
	I _N A(AC)	I _{max} A(AC)	P _N kW	I _{LD} A(AC)	P _{LD} kW	I _{HD} A(AC)	P _{HD} kW(AC)				
GD880-26-0245-4	245	294	110	236	110	184	90	26S2	6.33	1000	800*2140*650
GD880-26-0299-4	299	358	132	287	132	224	110	26S2	6.73	1000	800*2140*650
GD880-26-0349-4	349	419	160	335	160	262	132	26S2	9.02	1000	800*2140*650
GD880-26-0395-4	395	486	200	380	200	296	160	26S2	9.62	1000	800*2140*650
GD880-26-0516-4	516	619	250	495	250	387	200	26S2	13.33	1000	800*2140*650
GD880-26-0639-4	639	766	355	613	315	479	250	CU12+LCM11+ASU21+INV11	19.46	3000	1800*2140*650
GD880-26-0757-4	757	909	400	727	400	568	315	CU12+LCM11+ASU21+INV11	20.66	3000	1800*2140*650
GD880-26-0900-4	900	1080	500	864	450	675	355	CU12+LCM11+ASU21+INV11	23.89	3000	1800*2140*650
GD880-26-0975-4	960	1152	560	931	500	720	400	CU12+LCM11+ASU21+INV11	26.99	3000	1800*2140*650
GD880-26-1213-4	1213	1456	630	1165	630	910	500	CU12+LCM12+ASU42+INV22	33.76	7500	2250*2140*650
GD880-26-1439-4	1439	1727	800	1381	800	1079	630	CU12+LCM13+ASU42+INV22	40.06	7500	2250*2140*650
GD880-26-1710-4	1710	2052	1000	1642	900	1283	710	CU12+LCM14+ASU42+INV22	51.68	7500	2250*2140*650
GD880-26-1852-4	1852	2222	1000	1795	1000	1388	800	CU12+LCM14+ASU42+INV22	52.88	7500	2250*2140*650
GD880-26-2158-4	2158	2590	1200	2072	1200	1619	900	CU12+LCM25+2*ASU42+INV33	72.12	10500	3500*2140*650
GD880-26-2565-4	2565	3078	1400	2463	1400	1924	1000	CU12+LCM25+2*ASU42+INV33	78.12	10500	3500*2140*650
GD880-26-2778-4	2778	3333	1500	2693	1500	2083	1100	CU12+LCM26+2*ASU42+INV33	79.92	10500	3500*2140*650
GD880-26-3420-4	3420	4104	1800	3283	1800	2565	1400	CU12+LCM27+2*ASU42+2*INV22	103.33	12000	3900*2140*650
GD880-26-3704-4	3704	4444	2000	3590	2000	2776	1500	CU12+LCM27+2*ASU42+2*INV22	105.73	12000	3900*2140*650

U _N =690V (range 520 to 690V). The power ratings are valid at nominal voltage 690V (400 to 2400kW).											
Drive type	Nominal ratings			Light overload use		Heavy overload use		Frame size	Heat dissipation kW	Air flow m ³ /h	Size (W*H*D)
	I _N A(AC)	I _{max} A(AC)	P _N kW	I _{LD} A(AC)	P _{LD} kW	I _{HD} A(AC)	P _{HD} kW(AC)				
GD880-26-0410-6	410	492	400	394	355	308	315	CU12+LCM11+ASU21+INV11	19.4	1500	1800*2140*650
GD880-26-0530-6	530	636	500	509	450	398	355	CU12+LCM11+ASU21+INV11	24.9	1500	1800*2140*650
GD880-26-0600-6	600	720	560	576	560	450	400	CU12+LCM11+ASU21+INV11	27.3	1500	1800*2140*650
GD880-26-0650-6	650	780	630	624	560	488	450	CU12+LCM11+ASU21+INV11	36	1500	1800*2140*650
GD880-26-0720-6	720	864	710	690	630	540	500	CU12+LCM11+ASU21+INV11	36.6	1500	1800*2140*650
GD880-26-0779-6	779	935	800	748	710	584	560	CU12+LCM11+ASU21+INV22	37.3	3000	2000*2140*650
GD880-26-1007-6	1007	1208	1000	967	900	755	710	CU12+LCM12+ASU42+INV22	48.2	3000	2250*2140*650
GD880-26-1140-6	1140	1368	1100	1094	1000	855	800	CU12+LCM13+ASU42+INV22	50.4	3000	2250*2140*650
GD880-26-1235-6	1235	1482	1200	1186	1000	927	900	CU12+LCM13+ASU42+INV22	57	3000	2250*2140*650
GD880-26-1368-6	1368	1642	1300	1311	1200	1026	1000	CU12+LCM14+2*ASU42+INV22	72.1	3000	3100*2140*650
GD880-26-1510-6	1510	1813	1400	1450	1400	1133	1100	CU12+LCM14+2*ASU42+INV33	73.6	4500	3300*2140*650
GD880-26-1710-6	1710	2052	1600	1642	1600	1283	1200	CU12+LCM25+2*ASU42+INV33	76.9	4500	3500*2140*650
GD880-26-1853-6	1853	2223	1800	1778	1600	1390	1300	CU12+LCM25+2*ASU42+INV33	103.7	4500	3500*2140*650
GD880-26-2052-6	2052	2462	2000	1967	1800	1539	1500	CU12+LCM26+2*ASU42+INV33	105.1	4500	3500*2140*650
GD880-26-2280-6	2280	2736	2000	2189	2000	1710	1600	CU12+LCM26+2*ASU42+2*INV22	109.2	6000	3900*2140*650
GD880-26-2470-6	2470	2964	2400	2371	2000	1854	1800	CU12+LCM26+2*ASU42+2*INV22	114	6000	3900*2140*650

Note:

Nominal ratings: I_N indicates the continuous operating current without overload at 40°C, while I_{max} indicates max. output current.

Light overload use: I_{LD} indicates the light overload continuous operating current. 110%*I_{LD} is allowed for 1 minute every 5 minutes at 40°C.

Heavy overload use: I_{HD} indicates the heavy overload continuous operating current. 150%*I_{HD} is allowed for 1 minute every 5 minutes at 40°C.

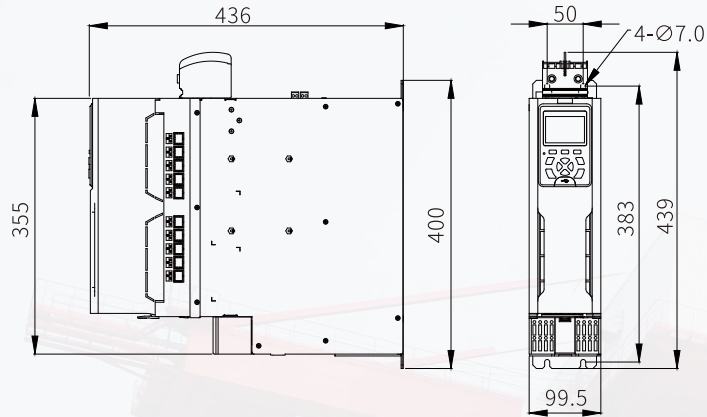
Feature and option list

Code	Voltage and power ranges 4:4-3000kW 6:55-6300kW	GD880-56 inverter cabinet	GD880-76 basic rectifier cabinet	GD880-86 regenerative rectifier cabinet	GD880-96 active rectifier cabinet	GD880-46 3PH braking cabinet	GD880-09 DC/DC cabine	GD880-16 variable frequency cabinet	GD880-36 regenerative rectifier variable frequency cabinet	GD880-26 active rectifier variable frequency cabinet
Degree of protection										
C120	IP20 (UL open type)	●	●	●	●	●	●	●	●	●
C121	IP21 (UL type1)	□	□	□	□	□	□	□	□	□
C142	IP42 (UL type1)	□	□	□	□	□	□	□	□	□
C154	IP54 (UL type12)	□	□	□	□	□	□	□	□	□
Mounting										
C201	Normal base (100mm)	□	□	□	□	□	□	□	□	□
C202	Cable base (200mm)	□	□	□	□	□	□	□	□	□
C211	Lifting ring	□ ^①	□ ^①	□ ^①	□ ^①	□ ^①	□ ^①	□ ^①	□ ^①	□ ^①
C212	Lifting lintel	● ^①	● ^①	● ^①	● ^①	● ^①	● ^①	● ^①	● ^①	● ^①
C213	Air outlet to pipe	□	□	□	□	□	□	□	□	□
Incoming unit apparatus										
E100	Air circuit breaker	-	● ^②	● ^②	● ^②	-	-	● ^②	● ^②	● ^②
E101	Drawer type circuit breaker	-	□ ^③	□ ^③	□ ^③	-	-	□ ^③	□ ^③	□ ^③
E102	Line contactor	-	-	□ ^④	□ ^④	-	-	□ ^④	□ ^④	□ ^④
E103	Insulation detector	-	□	□	□	-	□	□	□	□
E104	Safety relay	-	□	□	□	-	-	□	□	□
E105	DC switch	□	-	-	-	-	□	-	-	-
E106	Cabinet lighting	●	●	●	●	●	●	●	●	●
E107	Cabinet heater	□	□	□	□	□	□	□	□	□
E108	Incoming cabinet voltmeter	-	□	□	□	-	-	□	□	□
E109	Incoming cabinet Ammeter	-	□	□	□	-	-	□	□	□
E110	AC fuse (aR)	-	□ ^⑤	□ ^⑤	□ ^⑤	-	-	□ ^⑤	□ ^⑤	□ ^⑤
E111	Motor fan output (1.0-1.6A)	□	□	□	□	-	-	□	□	□
E112	Motor fan output (1.6-2.5A)	□	□	□	□	-	-	□	□	□
E113	Motor fan output (2.4-4.0A)	□	□	□	□	-	-	□	□	□
E114	Motor fan output (4.0-6.0A)	□	□	□	□	-	-	□	□	□
E115	Motor fan output (6.0-10A)	□	□	□	□	-	-	□	□	□
E116	Motor fan output (10-16A)	□	□	□	□	-	-	□	□	□
E117	Motor fan output (16-20A)	□	□	□	□	-	-	□	□	□
E118	Motor fan output (20-25A)	□	□	□	□	-	-	□	□	□
Filter/Reactor										
-	Regenerative filter	-	-	●	-	-	-	-	-	●
-	LCL	-	-	-	●	-	-	-	●	-
-	Line reactor	-	●	-	●	-	-	● ^⑥	-	-
-	Output reactor	● ^⑦	-	-	-	-	-	● ^⑦	● ^⑦	● ^⑦
E121	Sine filter	□	-	-	-	-	-	□	□	□
Cabling										
C221	Cabling supply bottom entry	-	●	●	●	-	-	●	●	●
C222	Cabling supply top entry	●	□ ^⑧	□ ^⑧	□ ^⑧	●	●	□ ^⑧	□ ^⑧	□ ^⑧
C223	Cabling inverter bottom exit	●	-	-	-	●	●	●	●	●
C224	Cabling inverter top exit	□ ^⑨	●	●	●	-	-	□ ^⑨	□ ^⑨	□ ^⑨
C225	Motor common cable connection cabinet (Cabinet confluence)	□	-	-	-	-	-	□	□	□

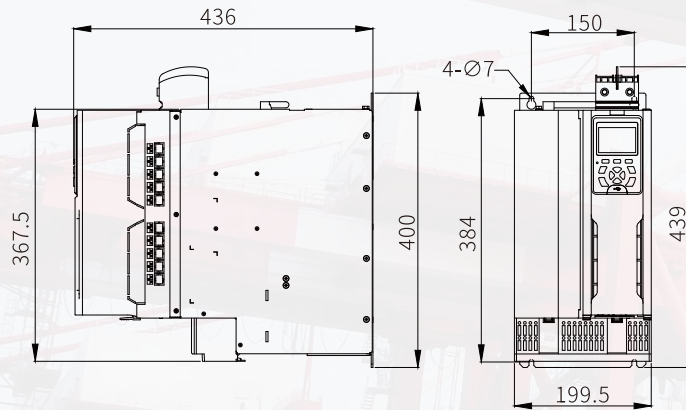
Code	Voltage and power ranges 4:4-3000kW 6:55-6300kW	GD880-56 inverter cabinet	GD880-76 basic rectifier cabinet	GD880-86 regenerative rectifier cabinet	GD880-96 active rectifier cabinet	GD880-46 3PH braking cabinet	GD880-09 DC/DC cabine	GD880-16 variable frequency cabinet	GD880-36 regenerative rectifier variable frequency cabinet	GD880-26 active rectifier variable frequency cabinet
PG module										
HTL encoder module	EC-PG805-24	<input type="checkbox"/>	-	-	-	-	-	<input type="checkbox"/>	<input type="checkbox"/>	<input type="checkbox"/>
TTL encoder module	EC-PG805-05	<input type="checkbox"/>	-	-	-	-	-	<input type="checkbox"/>	<input type="checkbox"/>	<input type="checkbox"/>
Resolver encoder module	EC-PG804	<input type="checkbox"/>	-	-	-	-	-	<input type="checkbox"/>	<input type="checkbox"/>	<input type="checkbox"/>
Communication module										
PROFINET IO communication module	EC-TX809	<input type="checkbox"/>	<input type="checkbox"/>	<input type="checkbox"/>	<input type="checkbox"/>	<input type="checkbox"/>	<input type="checkbox"/>	<input type="checkbox"/>	<input type="checkbox"/>	<input type="checkbox"/>
PROFIBUS-DP communication module	EC-TX803	<input type="checkbox"/>	<input type="checkbox"/>	<input type="checkbox"/>	<input type="checkbox"/>	<input type="checkbox"/>	<input type="checkbox"/>	<input type="checkbox"/>	<input type="checkbox"/>	<input type="checkbox"/>
CANopen communication module	EC-TX805	<input type="checkbox"/>	<input type="checkbox"/>	<input type="checkbox"/>	<input type="checkbox"/>	<input type="checkbox"/>	<input type="checkbox"/>	<input type="checkbox"/>	<input type="checkbox"/>	<input type="checkbox"/>
I/O module										
I/O module	EC-IO801	<input type="checkbox"/>	<input type="checkbox"/>	<input type="checkbox"/>	<input type="checkbox"/>	<input type="checkbox"/>	<input type="checkbox"/>	<input type="checkbox"/>	<input type="checkbox"/>	<input type="checkbox"/>
Other module options										
1-channel fiber optic module	EC-TX821	<input type="checkbox"/>	<input type="checkbox"/>	<input type="checkbox"/>	<input type="checkbox"/>	<input type="checkbox"/>	<input type="checkbox"/>	<input type="checkbox"/>	<input type="checkbox"/>	<input type="checkbox"/>
3-channel fiber optic module	EC-TX823	<input type="checkbox"/>	<input type="checkbox"/>	<input type="checkbox"/>	<input type="checkbox"/>	<input type="checkbox"/>	<input type="checkbox"/>	<input type="checkbox"/>	<input type="checkbox"/>	<input type="checkbox"/>
DC voltage detection module	IVDM-20	-	-	-	-	-	<input type="checkbox"/>	-	-	-
AC voltage detection module	IVDM-10	<input type="checkbox"/>	-	●	●	-	-	<input type="checkbox"/>	●	●
Product documentation										
D801	Customer use documents (electrical /wiring/layout diagrams) in PDF	●	●	●	●	●	●	●	●	●
D802	Chinese documents	●	●	●	●	●	●	●	●	●
D803	English documents	<input type="checkbox"/>	<input type="checkbox"/>	<input type="checkbox"/>	<input type="checkbox"/>	<input type="checkbox"/>	<input type="checkbox"/>	<input type="checkbox"/>	<input type="checkbox"/>	<input type="checkbox"/>
D804	FAT ex-factory inspection report	<input type="checkbox"/>	<input type="checkbox"/>	<input type="checkbox"/>	<input type="checkbox"/>	<input type="checkbox"/>	<input type="checkbox"/>	<input type="checkbox"/>	<input type="checkbox"/>	<input type="checkbox"/>
D805	Operation manuals (in paper)	<input type="checkbox"/>	<input type="checkbox"/>	<input type="checkbox"/>	<input type="checkbox"/>	<input type="checkbox"/>	<input type="checkbox"/>	<input type="checkbox"/>	<input type="checkbox"/>	<input type="checkbox"/>
D806	CAD files (electrical/wiring/layout drawings)	<input type="checkbox"/>	<input type="checkbox"/>	<input type="checkbox"/>	<input type="checkbox"/>	<input type="checkbox"/>	<input type="checkbox"/>	<input type="checkbox"/>	<input type="checkbox"/>	<input type="checkbox"/>
Note	- Not applicable ● Standard <input type="checkbox"/> Optional, with floating price	<p>① Single cabinet products are equipped with lifting rings as standard, while group cabinet products are equipped with lifting eyebrows as standard</p> <p>② 630A and below products are equipped with Disconnect Switch, 1600A and below products are equipped with MCCB, 1600A and above products are equipped with fixed circuit breakers</p> <p>③ 2000A and above support optional configuration</p> <p>④ 800A and above do not support optional AC contactors</p> <p>⑤ AC fults only supports basic rectifier unit, smart rectifier unit, active rectifier unit</p> <p>⑥ Input reactor: only for 16 products, standard configuration for A8 and above power, optional for other power options</p> <p>⑦ Output reactor: A8 and above power standard configuration, other power options</p> <p>⑧ Top power inlet: A8 and above power support, increasing cabinet or cabinet space to meet the requirements</p> <p>⑨ Output top outlet: A8 and above power support, increasing cabinet or cabinet space to meet the requirements</p>								

Mounting dimensions

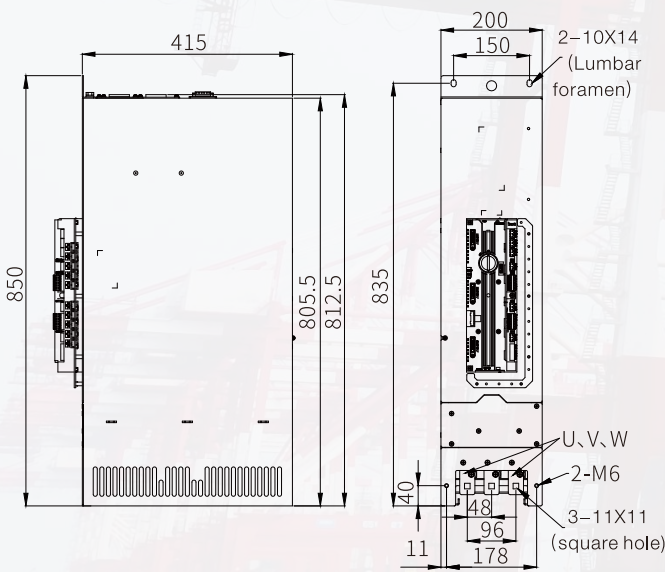
Unit: mm



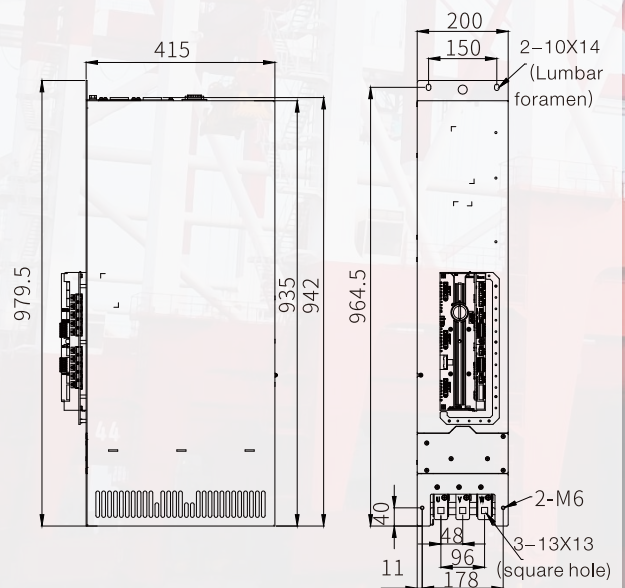
A1i- A3i



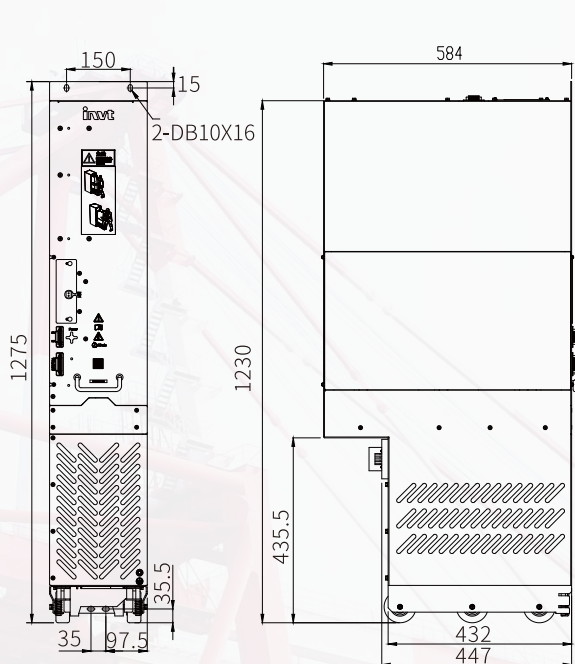
A4i



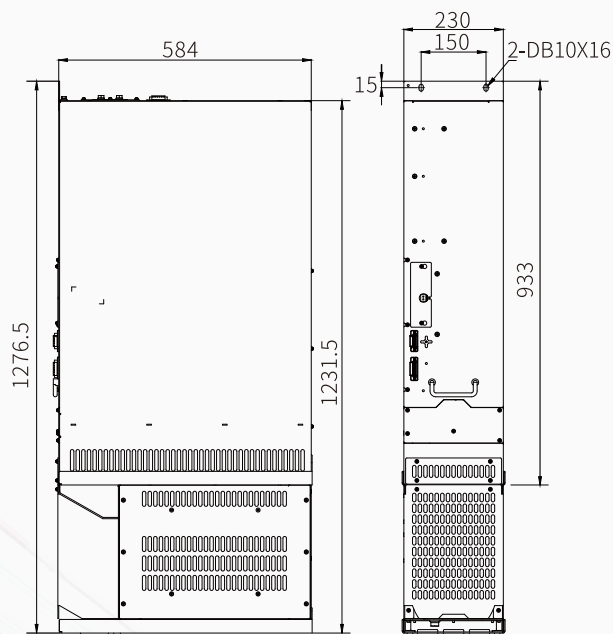
A6i



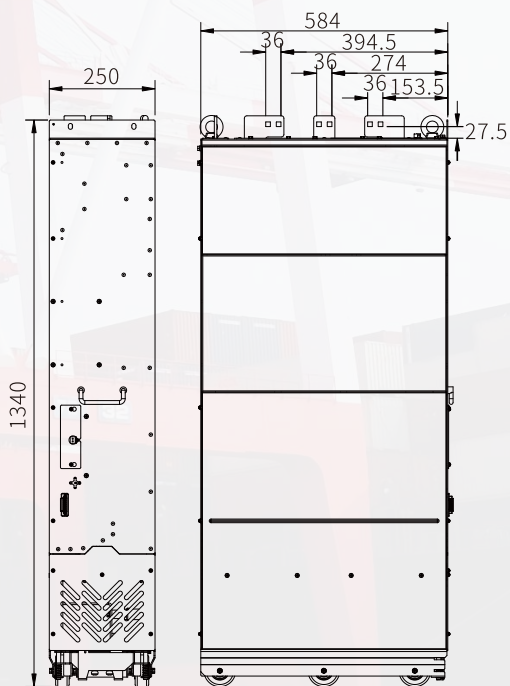
A7i



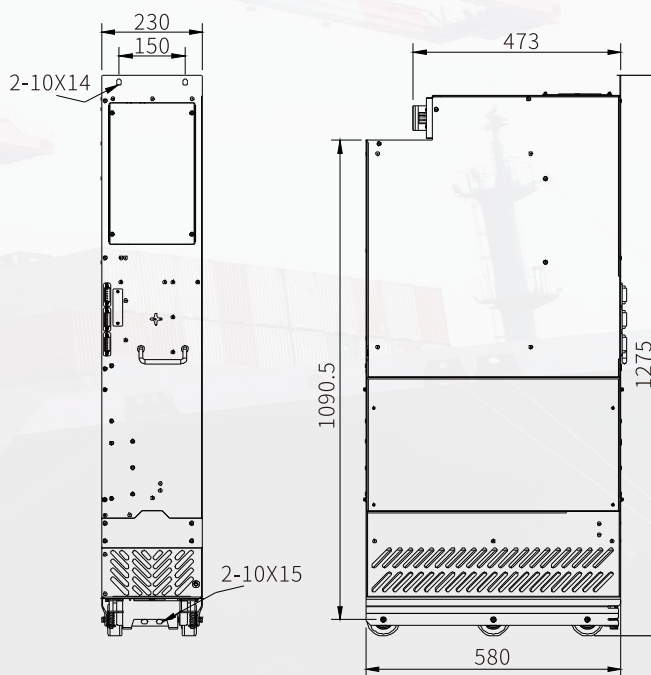
A8i / A8b



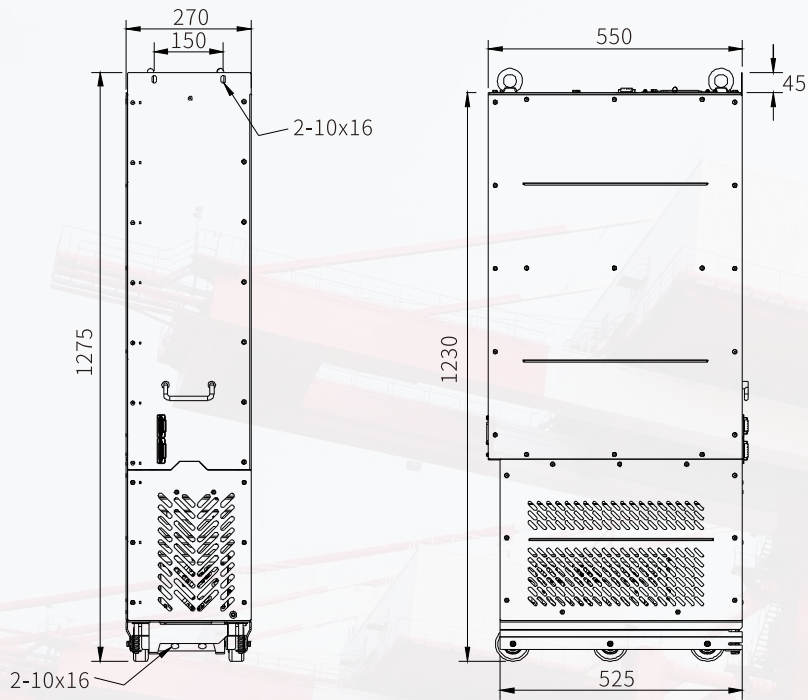
A8n/A8L2 (Note: The height of A8N is 933 mm)



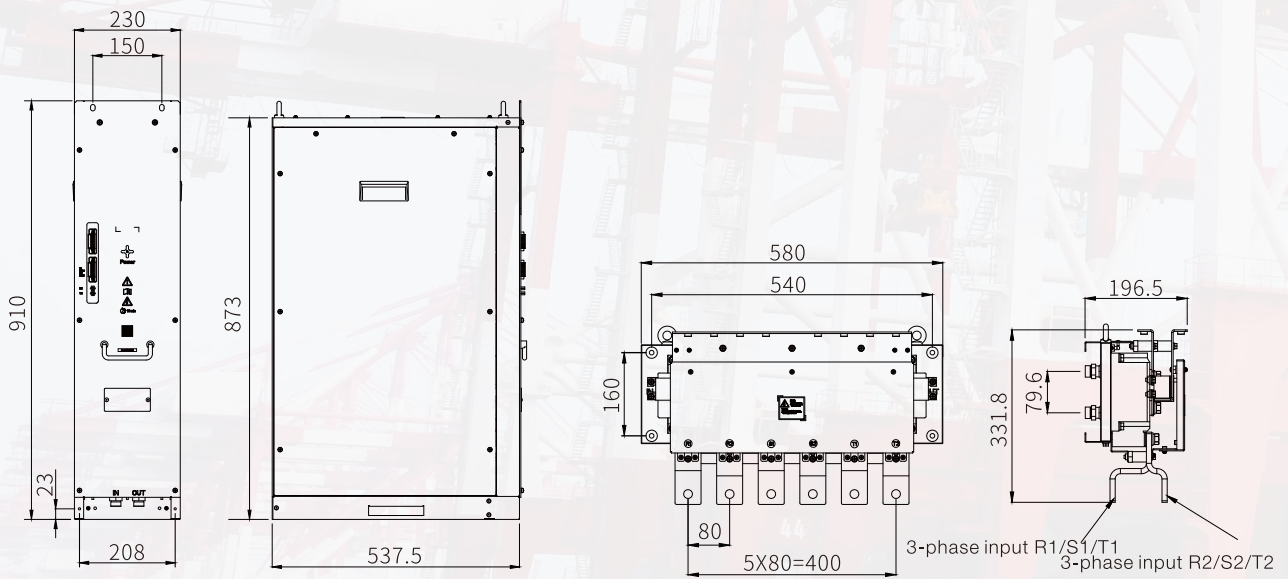
11A8i



D8T

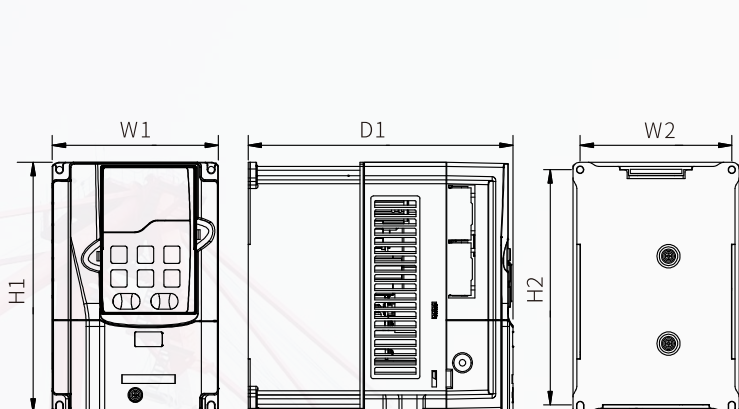


Mounting dimensions for L/LCL filter unit

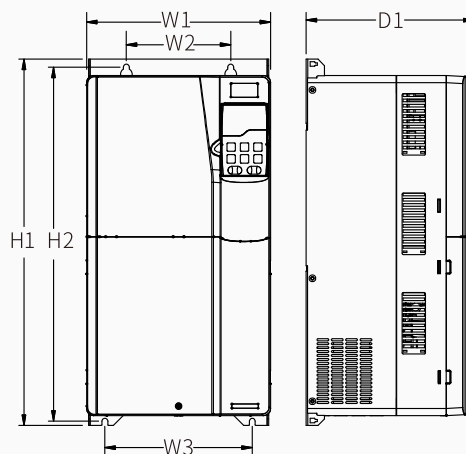


Liquid-cooling inverter unit

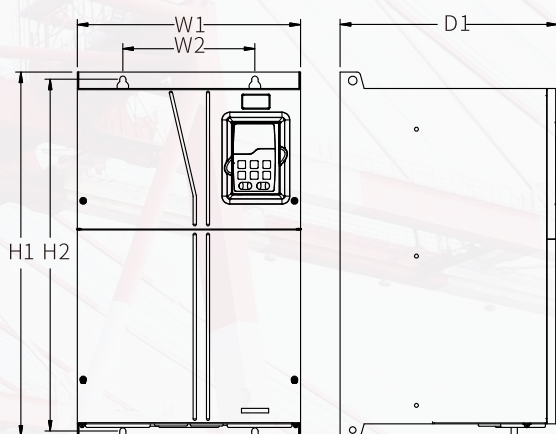
Liquid-cooling rectifier unit



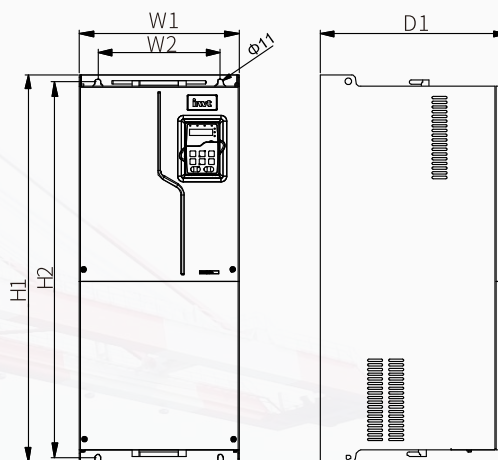
E2- E6



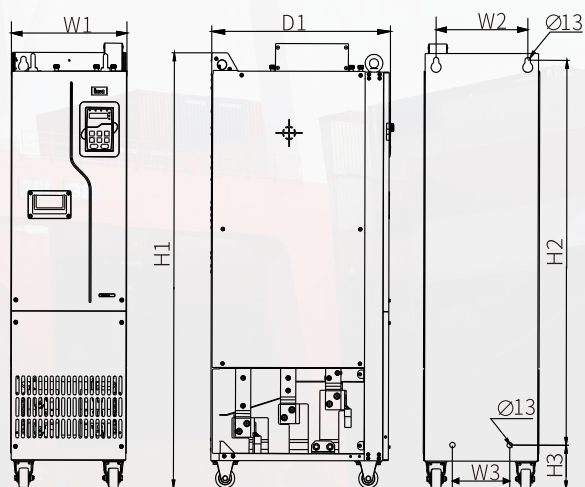
E7



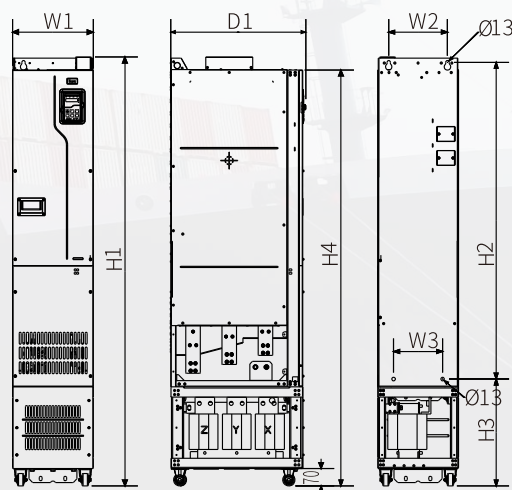
E8



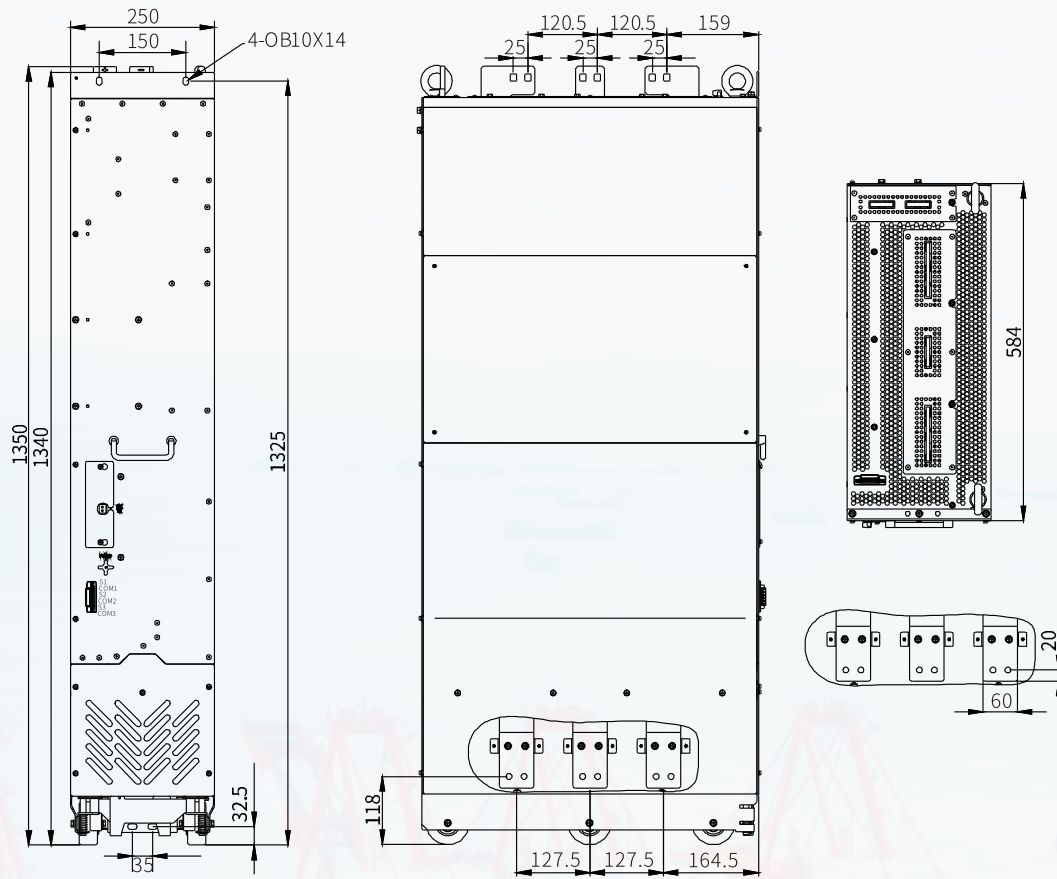
E9



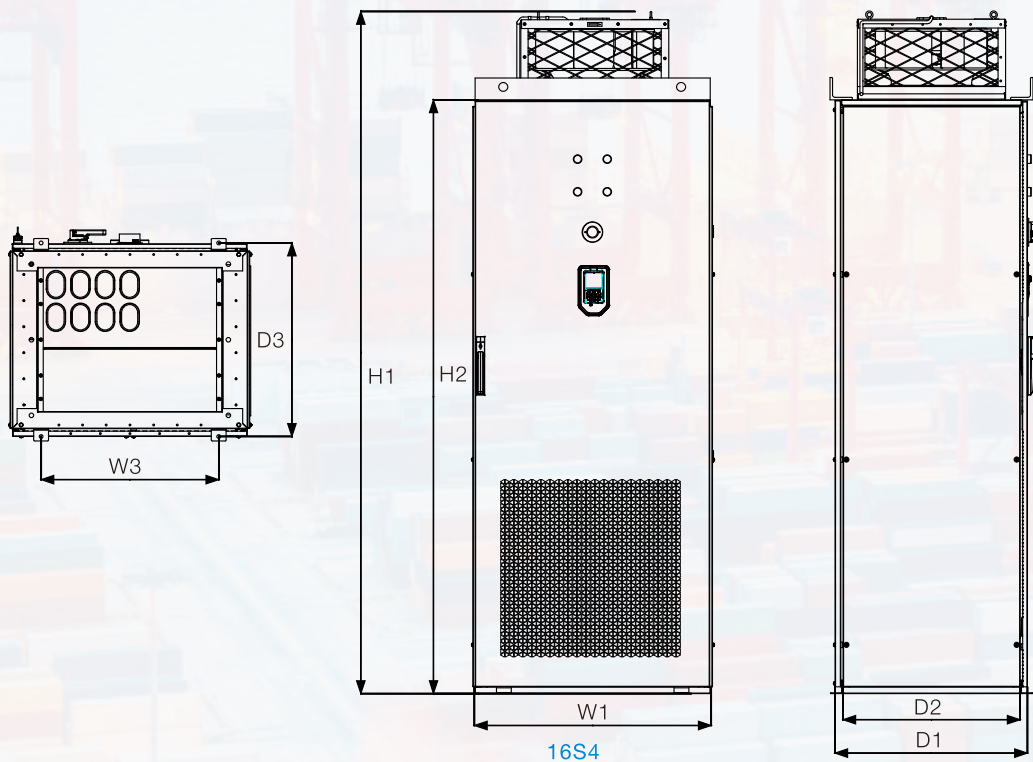
E11- E12 (Without output reactor)



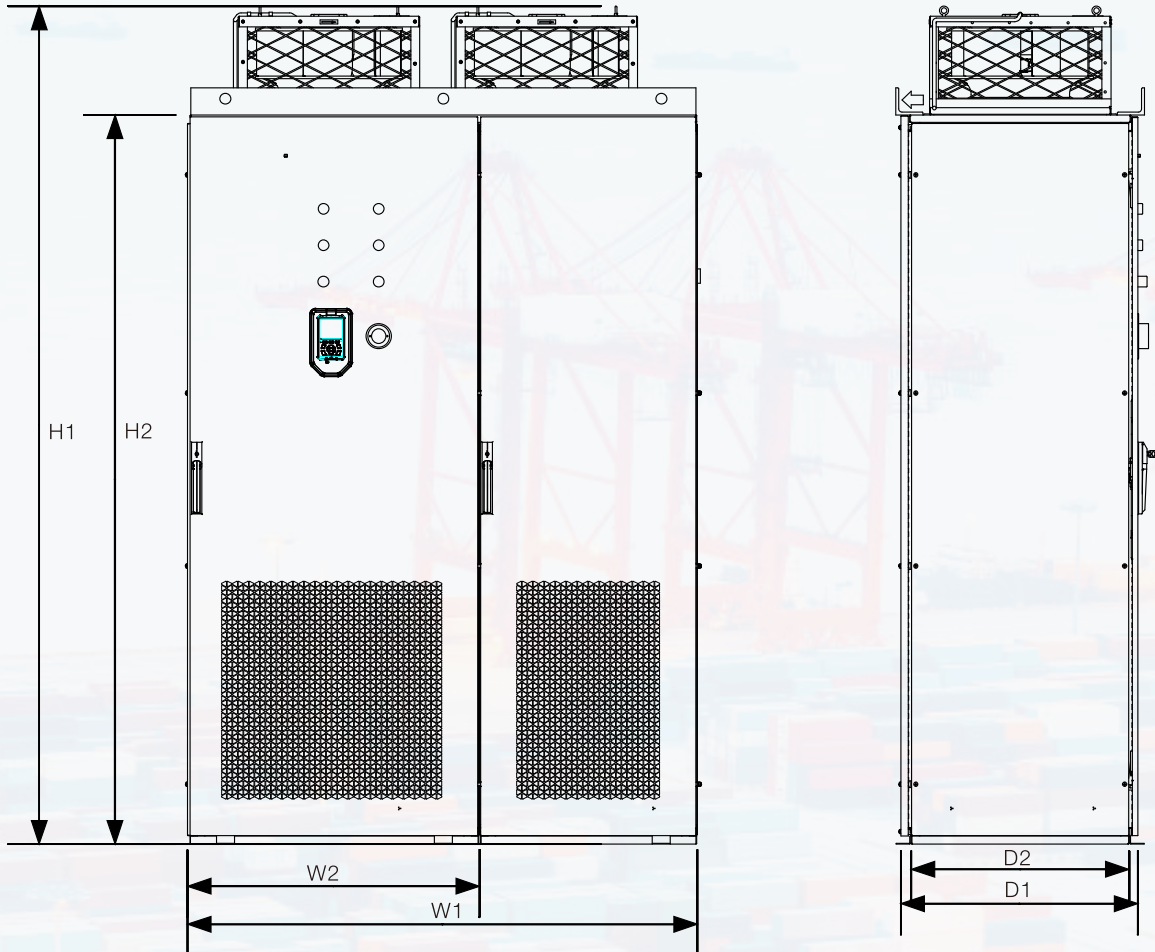
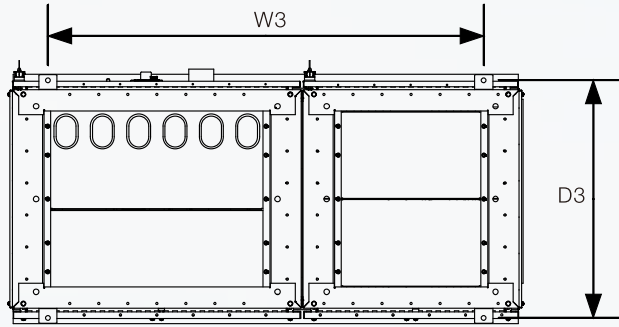
E11- E12 (With output reactor)



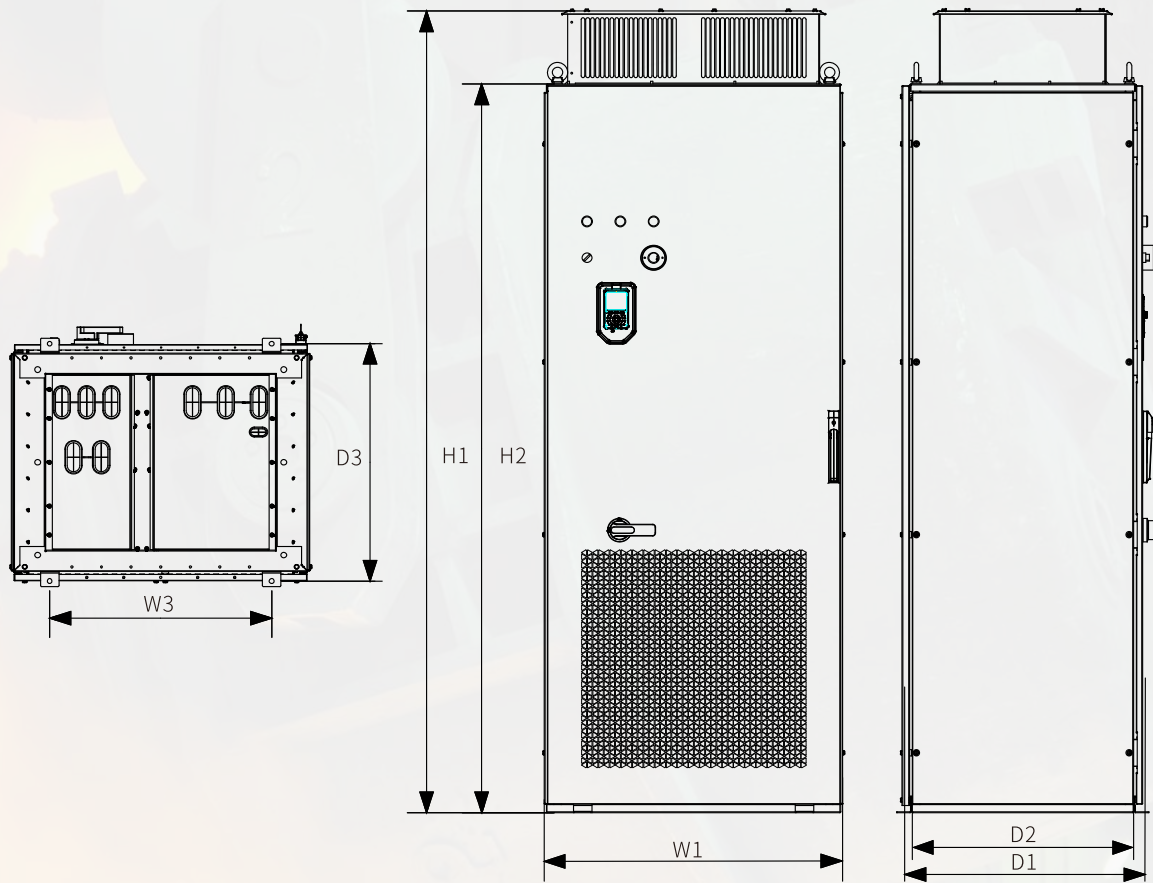
11A8



16S4



16S5

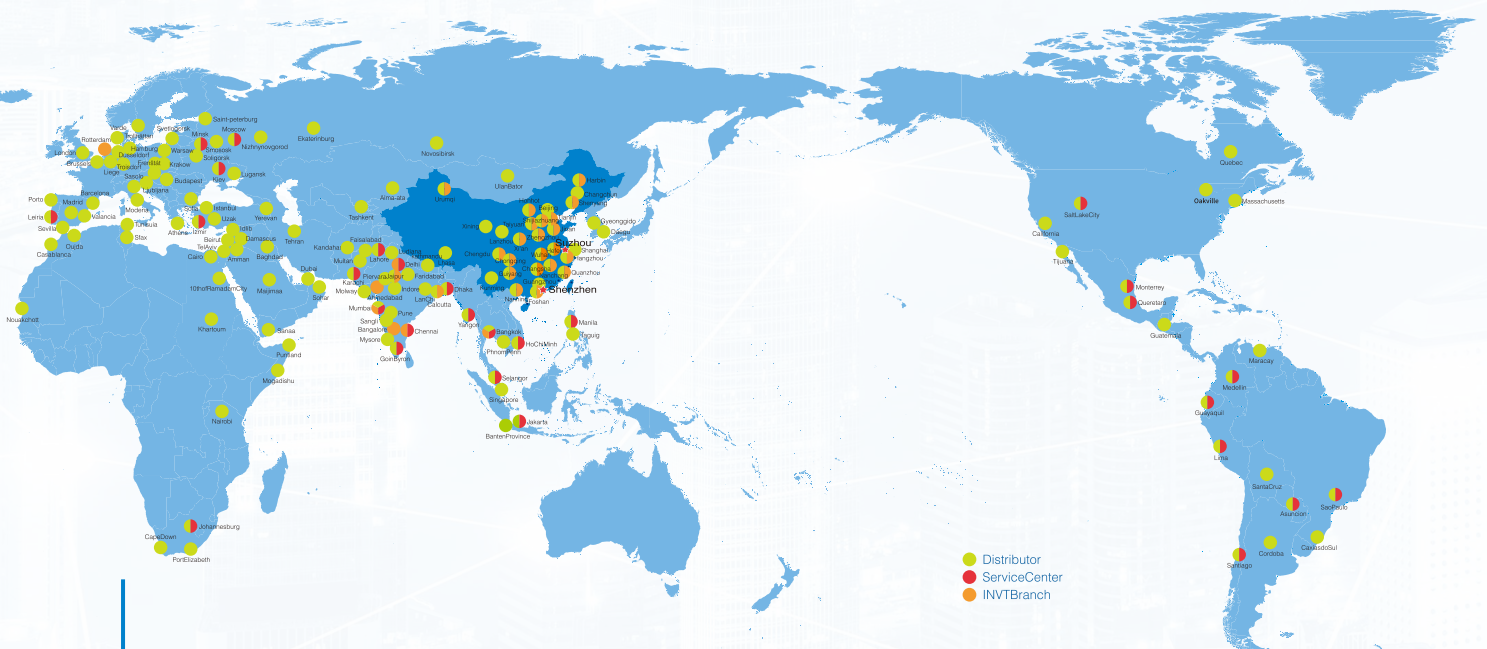


16S6- 16S10

VFD frame	Outline dimensions (mm)			Mounting dimensions (mm)				Mounting hole (mm)	Screw
	W1	H1	D1	W2	W3	H2	H3		
E3	146	256	192	131	/	243.5	/	Ø5	M4
E4	170	320	219	151	/	303,5	/	Ø6	M5
E5	230	330	217	210	/	311	/	Ø6	M5
E6	250	400	223	230	/	380	/	Ø6	M5
E7	282	560	258	160	226	542	/	Ø9	M8
E8	338	554	330	200	/	535	/	Ø10	M8
E9	303	1108	468	240	/	980	/	Ø11	M10
E11	330	1288	544	225	180	1150	122	Ø13	M10
E12	330	1398	544	240	200	1280	101	Ø13	M10

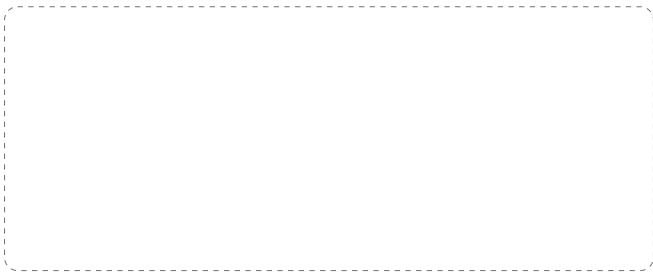
VFD frame	Outline dimensions (mm)					Mounting dimensions (mm)	
	W1	H1	D1	H2	D2	W3	D2
16S4	800	2300	650	2000	600	600	653
16S5	1400	2300	650	2000	600	1200	653
16S6- 16S7	600	2140	650	2000	600	400	653
16S8- 16S10	800	2140	650	2000	600	600	653

INVT marketing service network



Factories* **3**
 Headquarter in Shenzhen
 Overseas subsidiaries and offices***8**
 More than **100** overseas partners

Your Trusted Industry Automation Solution Provider



E-mail: overseas@invt.com.cn Website: www.invt.com

SHENZHEN INVT ELECTRIC CO.,LTD. INVT Guangming Technology Building, Songbai Road, Matian, Guangming District, Shenzhen, China

- Industrial Automation:**
- HMI
 - PLC
 - VFD
 - Servo System
 - Elevator Intelligent Control System
 - Rail Transit Traction System
- Electric Power:**
- UPS
 - DCIM
 - Solar Inverter
 - New Energy Vehicle Powertrain System
 - New Energy Vehicle Charging System
 - New Energy Vehicle Motor

INVT Copyright.
Information may be subject to change without notice during product improving.

66003-00261 202402 (V2.1)